

PARTS LIST

EH230D-L

CONTENTS

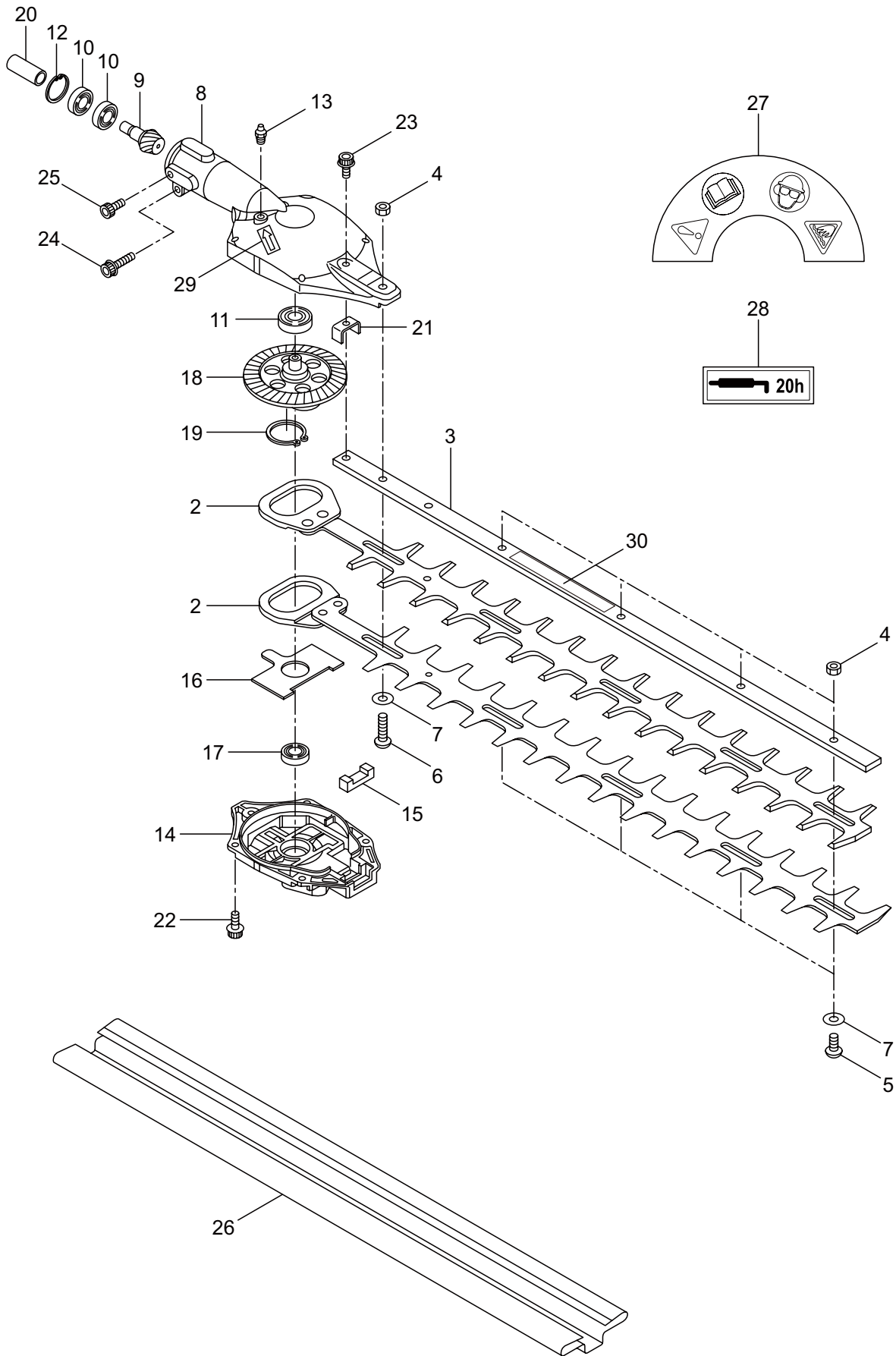
| | |
|--------------------------------|----|
| 1. PARTS KIT | 1 |
| 2. MAIN BODY | 3 |
| 3. GEARCASE..... | 5 |
| 4. ENGINE | 9 |
| 5. CARBURETOR, FUEL TANK | 13 |
| 6. ACCESSORIES | 15 |

2026. 05.



P/N 526026

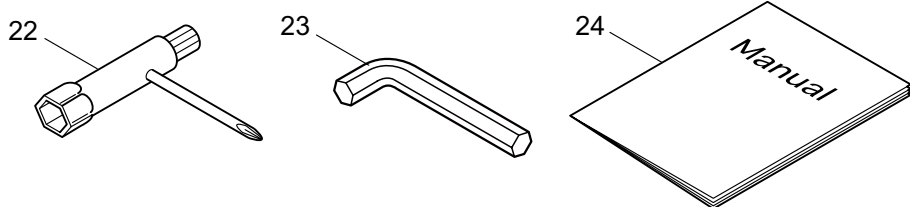
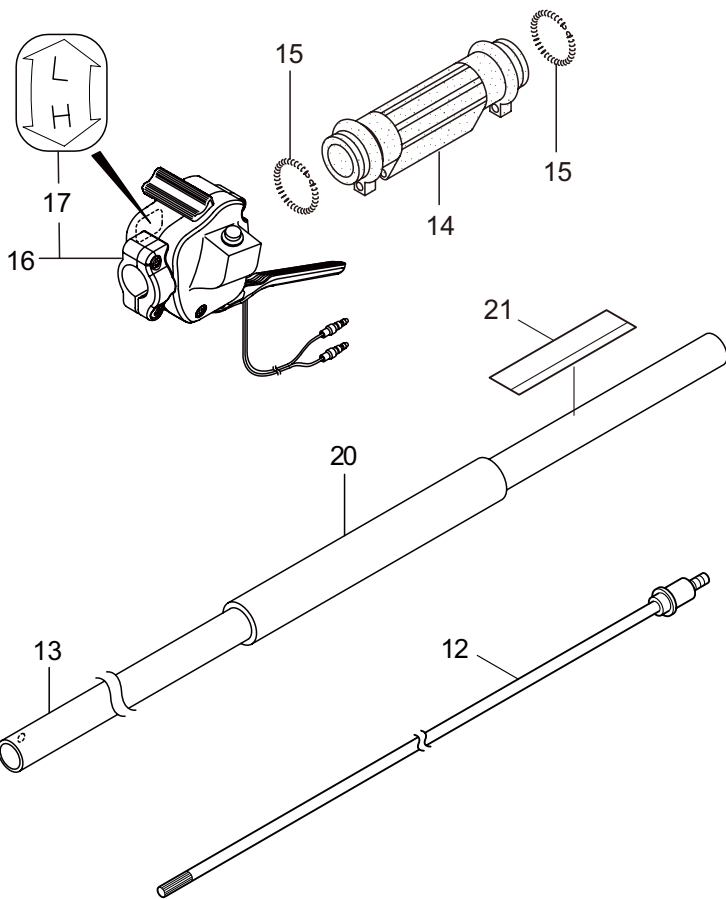
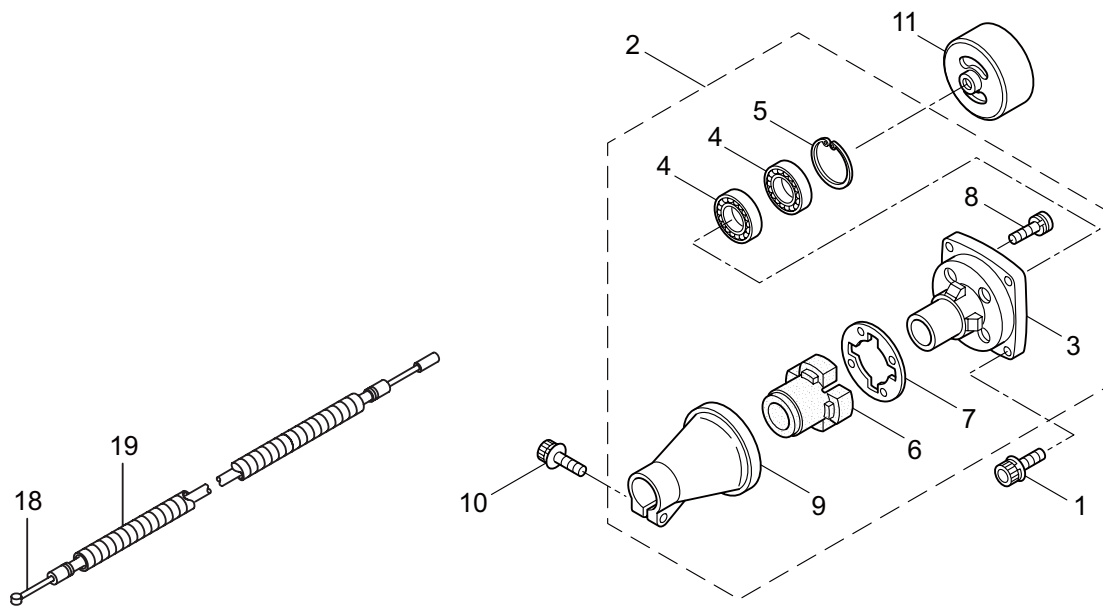
EH230D-L
1. BLADE



| Ref. No. | Part No. | Part Name | Q'ty | Remarks |
|----------|----------|----------------|------|---------|
| 1-1 | 365176 | EH230D-L | 1 | |
| 1-2 | 423321 | Blade | 2 | |
| 1-3 | 423322 | Guide Plate | 1 | |
| 1-4 | 580764 | U-Nut | 5 | M6 |
| 1-5 | 631765 | Screw | 4 | L17 |
| 1-6 | 407328 | Screw | 1 | L26 |
| 1-7 | 991913 | Washer | 5 | |
| 1-8 | 423323 | Upper Case | 1 | |
| 1-9 | 423324 | Pinion | 1 | |
| 1-10 | 423325 | Bearing | 2 | #6900UU |
| 1-11 | 407313 | Bearing | 1 | |
| 1-12 | 631772 | Snap Ring | 1 | RTW22 |
| 1-13 | 580766 | Grease Nipple | 1 | M6 |
| 1-14 | 423326 | Lower Case | 1 | |
| 1-15 | 407332 | Felt | 1 | |
| 1-16 | 407340 | Plate | 1 | |
| 1-17 | 638464 | Bearing | 1 | #608Z |
| 1-18 | 423327 | Crank Comp | 1 | |
| 1-19 | 631759 | Snap Ring | 1 | STW28 |
| 1-20 | 631779 | Joint | 1 | |
| 1-21 | 407333 | Plate | 1 | |
| 1-22 | 407331 | Bolt | 5 | M5x14 |
| 1-23 | 423328 | Cap Screw | 1 | M5x16 |
| 1-24 | 631778 | Cap Screw | 1 | M5x25 |
| 1-25 | 423329 | Cap Screw | 1 | M5x12 |
| 1-26 | 423330 | Cover of Blade | 1 | |
| 1-27 | 423331 | Label | 1 | |
| 1-28 | 423332 | Label | 1 | |
| 1-29 | 423333 | Label | 1 | |
| 1-30 | 235595 | Label | 1 | |
| | | | | |
| | | | | |
| | | | | |

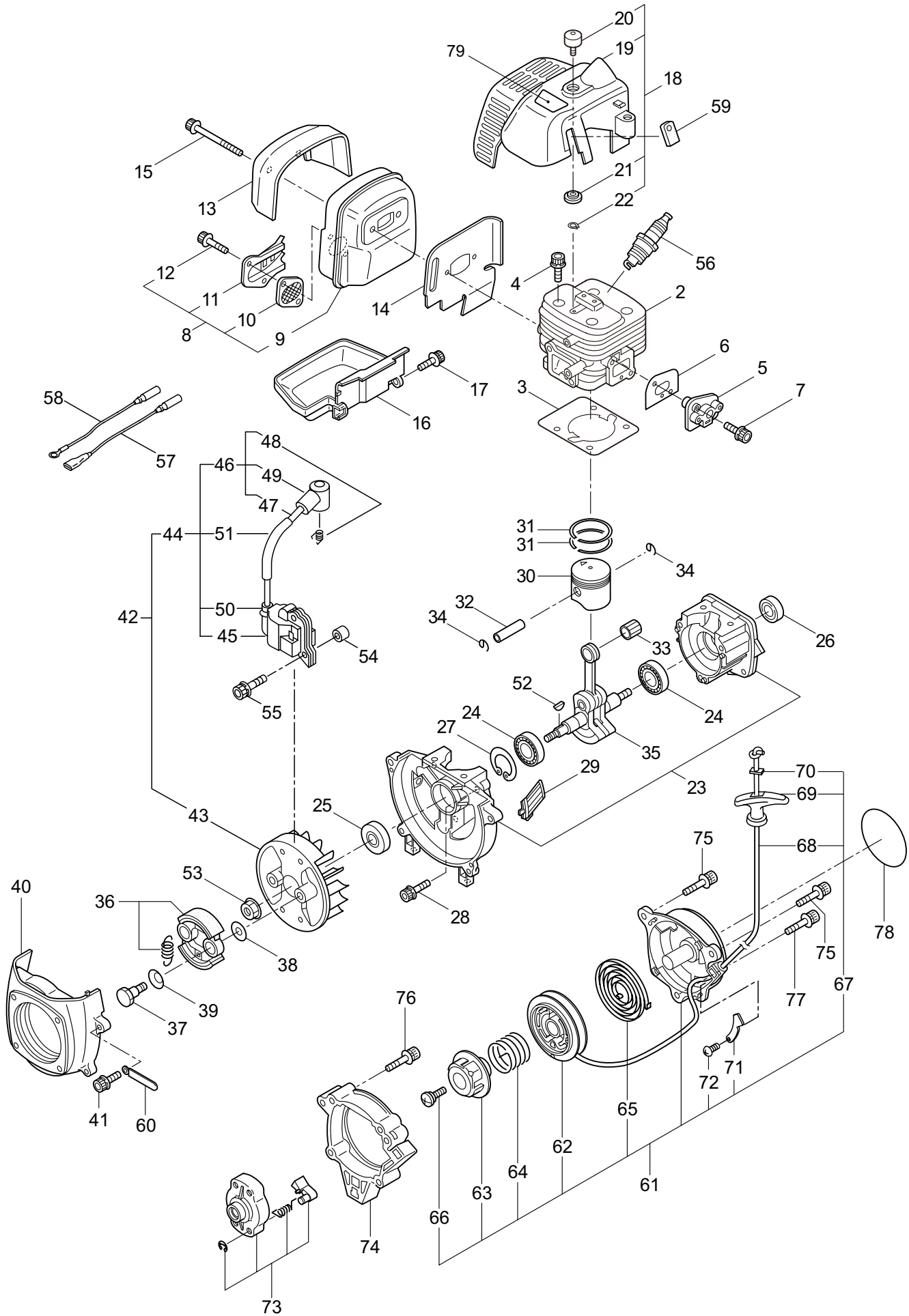
EH230D-L

2. CLUTCH ASE, ACCESSORIES



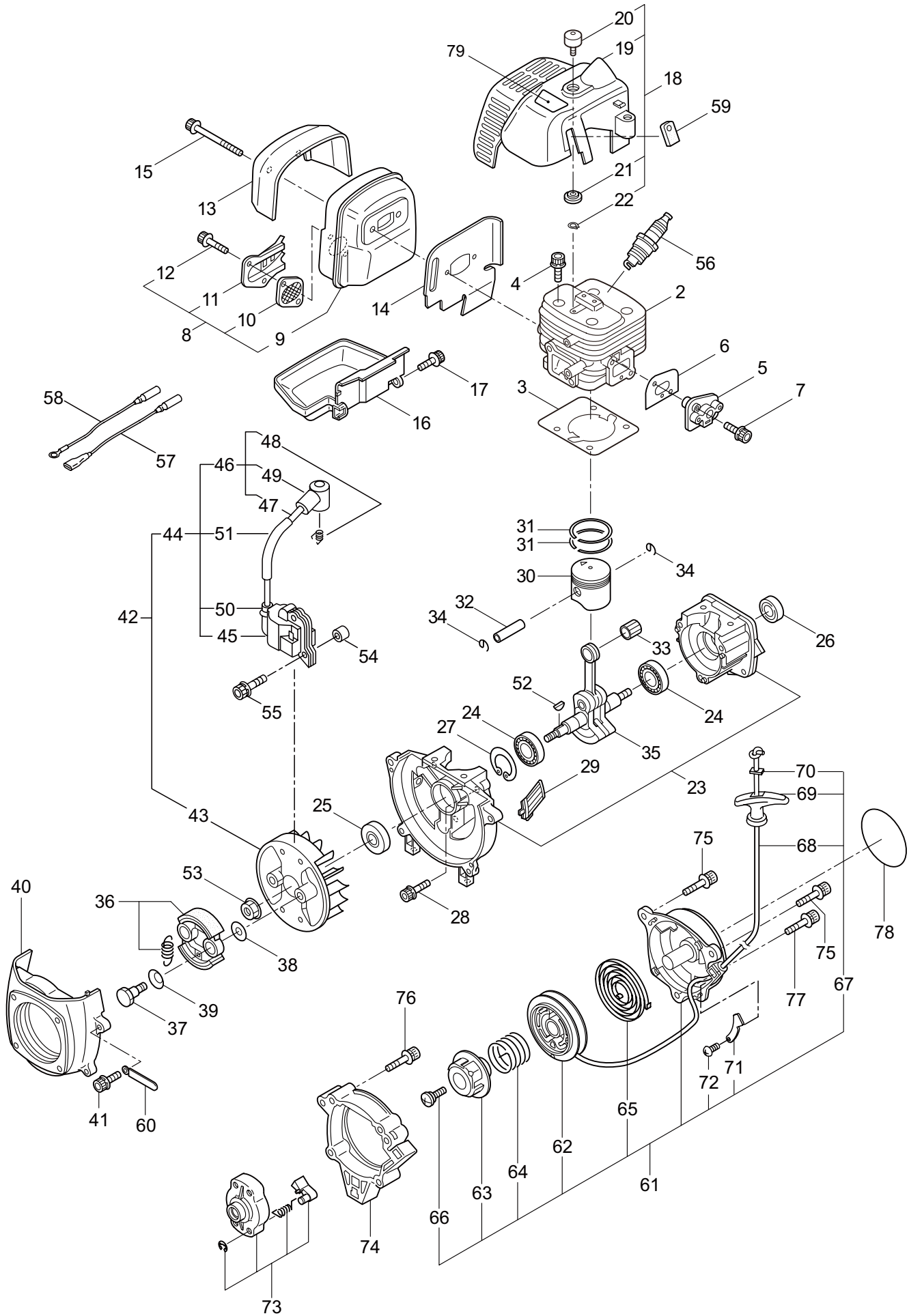
| Ref. No. | Part No. | Part Name | Q'ty | Remarks |
|----------|----------|-------------------------|------|--------------|
| 2-1 | 261250 | Cap Screw | 4 | M5x20 |
| 2-2 | 215512 | Clutch Case Ass'y | 1 | Incl.3-9 |
| 2-3 | 214592 | Bearing Case | 1 | |
| 2-4 | 214161 | Bearing | 2 | #6000ZZ |
| 2-5 | 054676 | Snap Ring | 1 | #26 |
| 2-6 | 560309 | Buffer | 1 | |
| 2-7 | 214163 | Washer | 1 | |
| 2-8 | 092033 | Screw | 4 | M5x15 |
| 2-9 | 214593 | Driveshaft Tube Adapter | 1 | |
| 2-10 | 261246 | Cap Screw | 1 | M5x25 |
| 2-11 | 054677 | Clutch Drum | 1 | |
| 2-12 | 558347 | Driveshaft Ass'y | 1 | |
| 2-13 | 224090 | Driveshaft Tube | 1 | 24xt1.6x1120 |
| 2-14 | 562150 | Grip | 1 | |
| 2-15 | 562151 | Band | 2 | |
| 2-16 | 242050 | Throttle Trigger Ass'y | 1 | Incl.17 |
| 2-17 | 237241 | Label | 1 | |
| 2-18 | 235752 | Throttle Cable | 1 | |
| 2-19 | 213548 | Plastic Tube | 1 | #10x200L |
| 2-20 | 238190 | Grip | 1 | 20x32x350L |
| 2-21 | 558349 | Label | 1 | EH230D-L |
| 2-22 | 210418 | Box Spanner | 1 | 13x19x(+) |
| 2-23 | 219432 | Wrench | 1 | 4mm |
| 2-24 | 558353 | Instruction Manual | 1 | EH230D-L |
| | | | | |
| | | | | |
| | | | | |
| | | | | |

EH230D-L
3. ENGINE



| Ref. No. | Part No. | Part Name | Q'ty | Remarks |
|----------|----------|---------------------------|------|-----------------|
| 3-1 | 876021 | Engine | 1 | CE230/132 |
| 3-2 | 288499 | Cylinder | 1 | |
| 3-3 | 286074 | Gasket | 1 | |
| 3-4 | 261250 | Cap Screw | 4 | M5x20 |
| 3-5 | 564712 | Insulator | 1 | |
| 3-6 | 267049 | Gasket | 1 | |
| 3-7 | 265924 | Cap Screw | 2 | M5x25 |
| 3-8 | 282208 | Muffler Ass'y | 1 | Incl.9-12 |
| 3-9 | 282209 | Muffler Comp | 1 | |
| 3-10 | 267056 | Spark Arrester | 1 | |
| 3-11 | 268171 | Muffler Tail | 1 | |
| 3-12 | 265107 | Cap Screw | 2 | M4x10 |
| 3-13 | 268461 | Holder | 1 | |
| 3-14 | 281440 | Gasket | 1 | |
| 3-15 | 266402 | Cap Screw | 2 | M5x55 |
| 3-16 | 281446 | Under Cover | 1 | |
| 3-17 | 267191 | Cap Screw | 1 | M5x16 |
| 3-18 | 288800 | Top Cover Ass'y | 1 | Incl.19-22 |
| 3-19 | 281444 | Top Cover | 1 | |
| 3-20 | 286300 | Knob | 1 | |
| 3-21 | 261020 | Spacer | 1 | |
| 3-22 | 261734 | Snap Ring | 1 | #5 |
| 3-23 | 289246 | Crankcase | 1 | |
| 3-24 | 280488 | Bearing | 2 | 6001 C3 |
| 3-25 | 261492 | Oil Seal | 1 | ISCD12287 |
| 3-26 | 261386 | Oil Seal | 1 | ISCD12227 |
| 3-27 | 055185 | Snap Ring | 1 | H28 |
| 3-28 | 261612 | Cap Screw | 3 | M5x30 |
| 3-29 | 281442 | Screen | 1 | |
| 3-30 | 283379 | Piston | 1 | |
| 3-31 | 282177 | Piston Ring | 2 | |
| 3-32 | 261036 | Piston Pin | 1 | |
| 3-33 | 263957 | Bearing, Needle | 1 | KTV81112EG12 B2 |
| 3-34 | 261576 | Clip,Piston | 2 | |
| 3-35 | 246382 | Crankshaft/Conn.Rod Ass'y | 1 | |
| 3-36 | 267327 | Clutch Ass'y | 1 | |
| 3-37 | 264505 | Bolt | 2 | |
| 3-38 | 261189 | Washer | 2 | 6x16.5x1.2 |
| 3-39 | 261777 | Wave Washer | 2 | |
| 3-40 | 281443 | Fan Cover | 1 | |
| 3-41 | 261250 | Cap Screw | 4 | M5x20 |
| 3-42 | 288514 | Magneto Ass'y | 1 | Incl.43-51 |
| 3-43 | 288515 | Rotor/Fan | 1 | |
| 3-44 | 288516 | Ignition Coil Ass'y | 1 | Incl.45-51 |
| 3-45 | 289483 | Coil | 1 | |

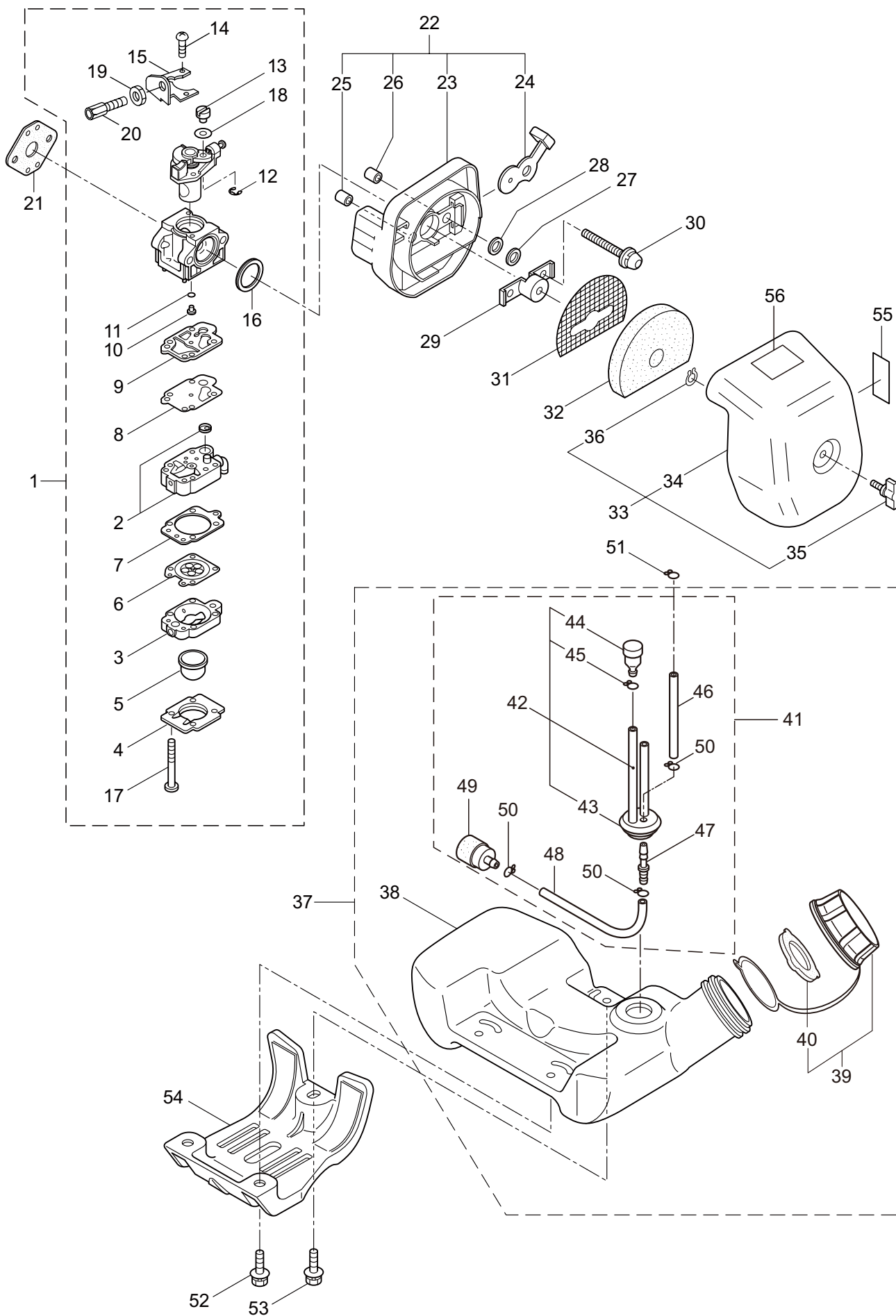
EH230D-L
3. ENGINE



| Ref. No. | Part No. | Part Name | Q'ty | Remarks |
|----------|----------|-----------------------|------|---------------------|
| 3-46 | 289484 | Spark Plug Wire Ass'y | 1 | Incl.47-49 |
| 3-47 | 289485 | Spark Plug Wire | 1 | |
| 3-48 | 272805 | Connector | 1 | |
| 3-49 | 283178 | Plug Boot | 1 | |
| 3-50 | 283271 | Cap | 1 | |
| 3-51 | 289486 | Insulator | 1 | 3x10 M8 M4x25 |
| 3-52 | 261076 | Woodruff Key | 1 | |
| 3-53 | 261417 | Nut,Rotor | 1 | |
| 3-54 | 280381 | Spacer | 2 | |
| 3-55 | 261256 | Cap Screw | 2 | |
| 3-56 | 285982 | Spark Plug | 1 | NGK BPM8Y |
| 3-57 | 288416 | Wire, Lead | 1 | |
| 3-58 | 268044 | Lead | 1 | |
| 3-59 | 269189 | Grommet | 1 | |
| 3-60 | 264588 | Clamp | 1 | |
| 3-61 | 273254 | Starter Ass'y | 1 | Incl.62-72 |
| 3-62 | 283504 | Reel | 1 | |
| 3-63 | 283505 | Cam Plate | 1 | |
| 3-64 | 283506 | Spring | 1 | |
| 3-65 | 261721 | Spiral Spring | 1 | |
| 3-66 | 267213 | Screw | 1 | Incl.68-70 |
| 3-67 | 273261 | Rope Ass'y | 1 | |
| 3-68 | 283579 | Stater Rope | 1 | |
| 3-69 | 287651 | Starter Grip | 1 | |
| 3-70 | 283511 | Rope Stopper | 1 | |
| 3-71 | 277328 | Cover | 1 | M4x20 |
| 3-72 | 273037 | Screw | 1 | |
| 3-73 | 283575 | Starter Pawl Ass'y | 1 | |
| 3-74 | 284698 | Adapter Ass'y | 1 | |
| 3-75 | 283391 | Cap Screw | 2 | |
| 3-76 | 265726 | Cap Screw | 4 | M4x16 |
| 3-77 | 282096 | Cap Screw | 1 | M4x16WSW |
| 3-78 | 246557 | Label | 1 | CER230 |
| 3-79 | 557023 | Label | 1 | EH230D-L |
| | | | | |
| | | | | |

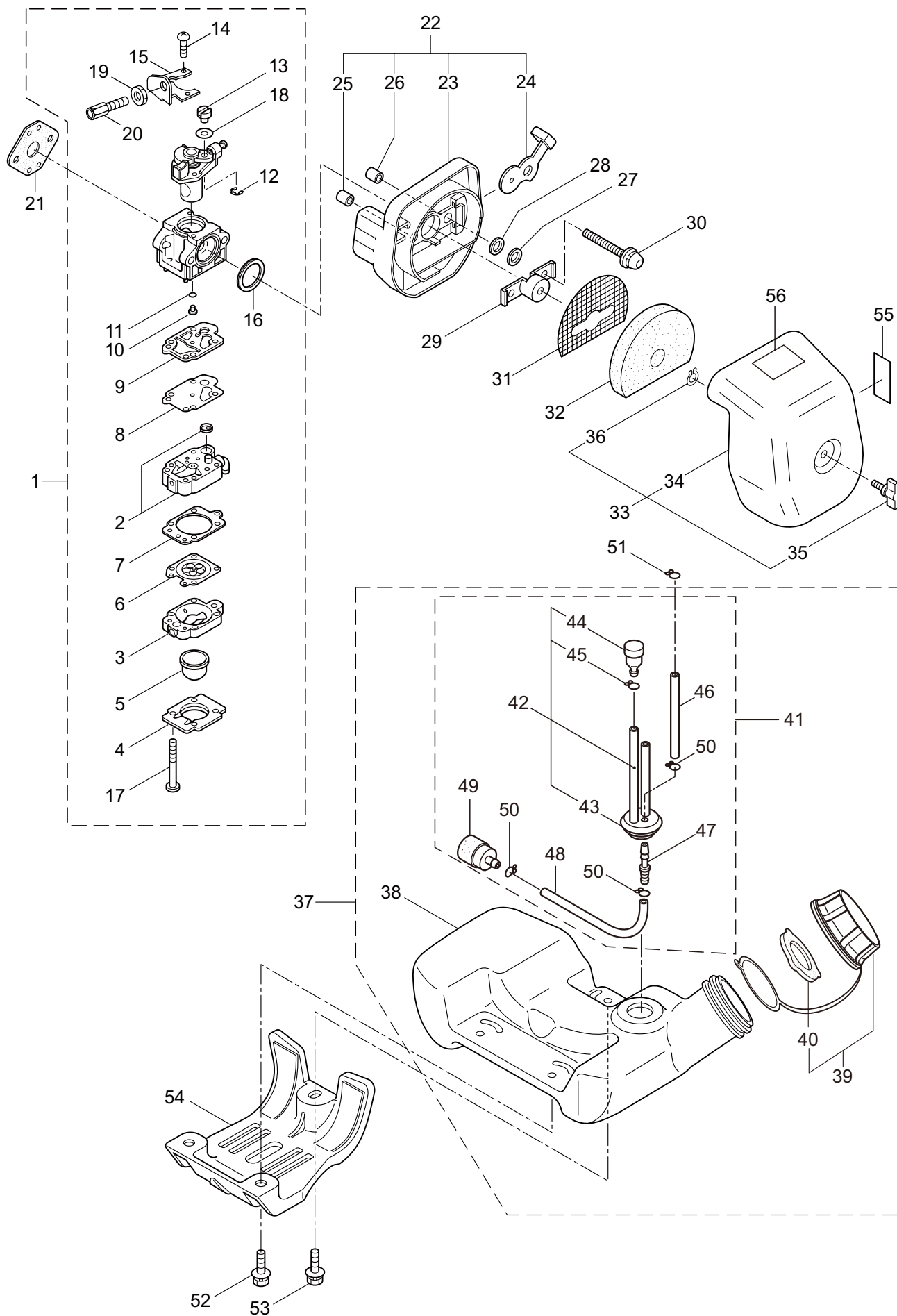
EH230D-L

4. CARBURETOR, FUEL TANK



| Ref. No. | Part No. | Part Name | Q'ty | Remarks |
|----------|----------|-------------------------|------|-------------------------------|
| 4-1 | 286703 | Carburetor Ass'y | 1 | Incl.2-20 New gasket required |
| 4-2 | 264155 | Pump Body | 1 | |
| 4-3 | 262991 | Purge Body | 1 | |
| 4-4 | 262992 | Cover Plate | 1 | |
| 4-5 | 261874 | Primer Bulb | 1 | |
| 4-6 | 283905 | Diaphragm, Metering | 1 | #37 |
| 4-7 | 262993 | Gasket | 1 | |
| 4-8 | 262994 | Diaphragm,Fuel Pump | 1 | |
| 4-9 | 282576 | Gasket | 1 | |
| 4-10 | 281487 | Main Jet | 1 | |
| 4-11 | 261871 | O-Ring | 1 | |
| 4-12 | 261876 | E-Ring | 1 | |
| 4-13 | 261658 | Swivel | 1 | |
| 4-14 | 261875 | Screw | 2 | |
| 4-15 | 264677 | Bracket | 1 | |
| 4-16 | 261657 | Packing | 1 | M6 |
| 4-17 | 262996 | Screw | 4 | |
| 4-18 | 264678 | Washer | 1 | |
| 4-19 | 261878 | Nut | 1 | |
| 4-20 | 263994 | Adapter | 1 | |
| 4-21 | 261864 | Gasket | 1 | Incl.23-26 |
| 4-22 | 268055 | Air Filter Case Ass'y | 1 | |
| 4-23 | 268056 | Air Filter Case | 1 | |
| 4-24 | 268057 | Valve | 1 | |
| 4-25 | 268157 | Sleeve | 1 | |
| 4-26 | 268412 | Sleeve | 1 | 5.2x7.1x6.4L |
| 4-27 | 263345 | Packing | 1 | 7.2x11xt1.3 |
| 4-28 | 263942 | Washer | 1 | 7.2x12xt0.15 |
| 4-29 | 263815 | Stay | 1 | |
| 4-30 | 264016 | Cap Screw | 2 | M5x60 |
| 4-31 | 265026 | Screen | 1 | Incl.34-36 |
| 4-32 | 265027 | Foam Element | 1 | |
| 4-33 | 268058 | Air Filter Cover Ass'y | 1 | |
| 4-34 | 268059 | Air Filter Cover | 1 | |
| 4-35 | 281438 | Knob | 1 | |
| 4-36 | 261734 | Snap Ring | 1 | #5 |
| 4-37 | 555328 | Fuel Tank Ass'y | 1 | Incl.38-50 |
| 4-38 | 247939 | Fuel Tank | 1 | |
| 4-39 | 289046 | Tank Cap Ass'y | 1 | Incl.40 |
| 4-40 | 287058 | Gasket | 1 | |
| 4-41 | 289031 | Fuel Pipe Pick-up Ass'y | 1 | Incl.42-50 |
| 4-42 | 289032 | Fuel Pipe Ass'y | 1 | |
| 4-43 | 268065 | Grommet | 1 | |
| 4-44 | 261590 | Breather | 1 | |
| 4-45 | 261117 | Clip | 1 | |

4. CARBURETOR, FUEL TANK



| Ref. No. | Part No. | Part Name | Q'ty | Remarks |
|----------|----------|--------------|------|----------|
| 4-46 | 289028 | Pipe A | 1 | 3x5x53L |
| 4-47 | 288921 | Joint | 1 | |
| 4-48 | 289033 | Pipe | 1 | 3x5x100L |
| 4-49 | 277887 | Filter Ass'y | 1 | |
| 4-50 | 261117 | Clip | 3 | |
| 4-51 | 261117 | Clip | 1 | |
| 4-52 | 281714 | Cap Screw | 2 | M5x20 |
| 4-53 | 281715 | Cap Screw | 1 | M5x20 |
| 4-54 | 281447 | Stand | 1 | |
| 4-55 | 261352 | Label | 1 | Choke |
| 4-56 | 285188 | Label | 1 | |
| | | | | |
| | | | | |
| | | | | |
| | | | | |
| | | | | |
| | | | | |
| | | | | |
| | | | | |
| | | | | |