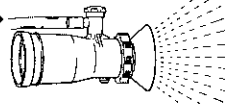
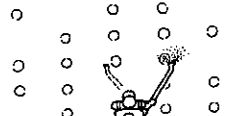
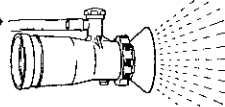
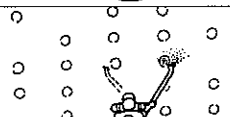
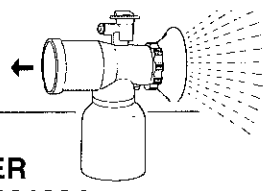
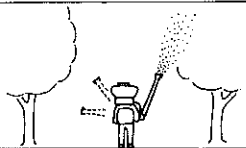
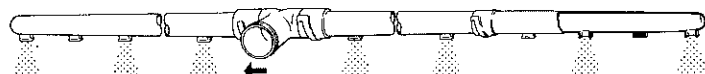
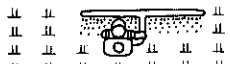
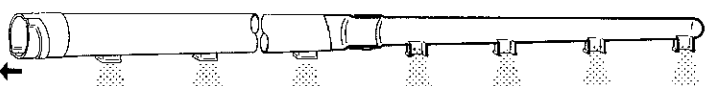


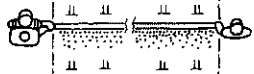
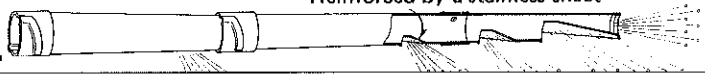
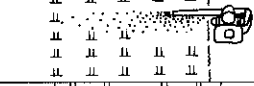


## OPTIONS FOR MD150DX MIST/DUSTER

The Maruyama MD150DX has a wide range of specialized attachments for different chemical application jobs - making this a very versatile tool.

- **Liquid** - the air volume of the blower fan creates a venturi effect at the nozzle area, siphoning liquid into the air stream. The three nozzles- Standard (#024412), Direct Hook Up (#101075), and Ultra Low Volume (#976560) - respectively spray coarse, medium and extremely fine mists. The air flow moves the foliage, carrying the chemical mist to all surfaces efficiently. The Mist Booster Pump (#101034) doubles the discharge rate of the standard nozzle - for when more volume or extra height is needed.
- **Dust** - the blower fan siphons the fine chemical dust into the air stream. The rigid T- Blow Pipe (#100415) and Multi Blow Pipe (#100421) allow one person to dust row crops easily. The flexible Dusting Blow Hose (#019888) covers a wide area - 98 feet - for extremely uniform dust applications with an additional person at the far end of the air inflated tube.
- **Granule** - The rigid Granule Blow Pipe (#101395) discharges larger granules over a wide area - up to 65 feet - when the pipe is held at an upward angle. The flexible Shower Blow Pipe (#028700) discharges smaller granules over a wide area - 98 feet - and requires a second person at the far end of the air inflated tube.

LIQUID	<ul style="list-style-type: none"> <li>• <b>STANDARD NOZZLE #024412</b> DIFFUSIVE</li> </ul>	From mist cock →		
	<ul style="list-style-type: none"> <li>• <b>LOW VOLUME DIRECT TANK HOOK-UP #101075</b> DIFFUSIVE</li> </ul>	From mist cock →		
	<ul style="list-style-type: none"> <li>• <b>U.L.V. (ULTRA LOW VOLUME) #976560</b></li> </ul>			
	<ul style="list-style-type: none"> <li>• <b>MIST BOOSTER PUMP #101034</b></li> </ul>		From chemical tank → To mist cock ←	
DUST	<ul style="list-style-type: none"> <li>• <b>TEE BLOW PIPE #100415</b></li> </ul>			
	<ul style="list-style-type: none"> <li>• <b>MULTI BLOW PIPE #100421</b></li> </ul>			
	<ul style="list-style-type: none"> <li>• <b>DUSTING BLOW HOSE #019888</b></li> </ul>			
GRANULE	<ul style="list-style-type: none"> <li>• <b>GRANULE BLOW PIPE #101395</b> Reinforced by a stainless sheet</li> </ul>			
	<ul style="list-style-type: none"> <li>• <b>"SHOWER" BLOW PIPE #028700</b></li> </ul>	