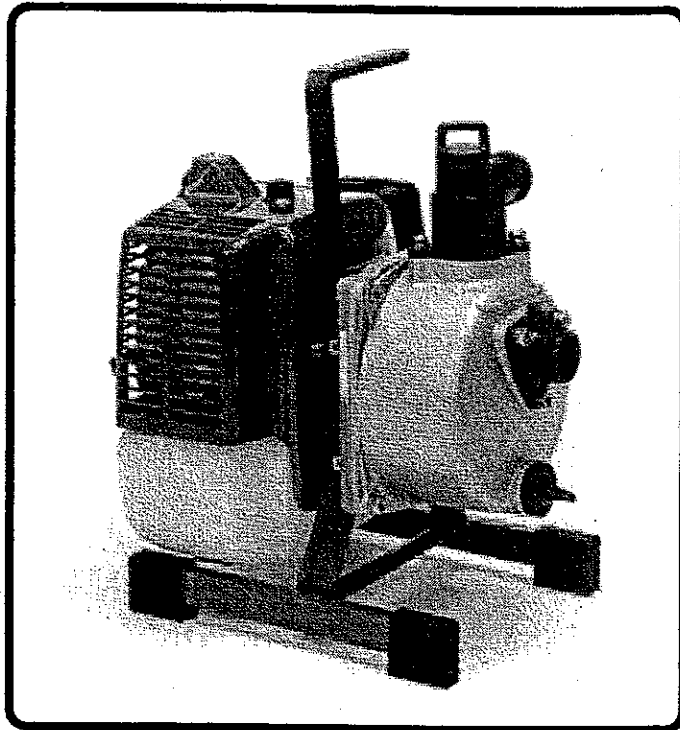




Manufacturing quality equipment since 1895.

ILLUSTRATED PARTS LIST

Model MP2532E2

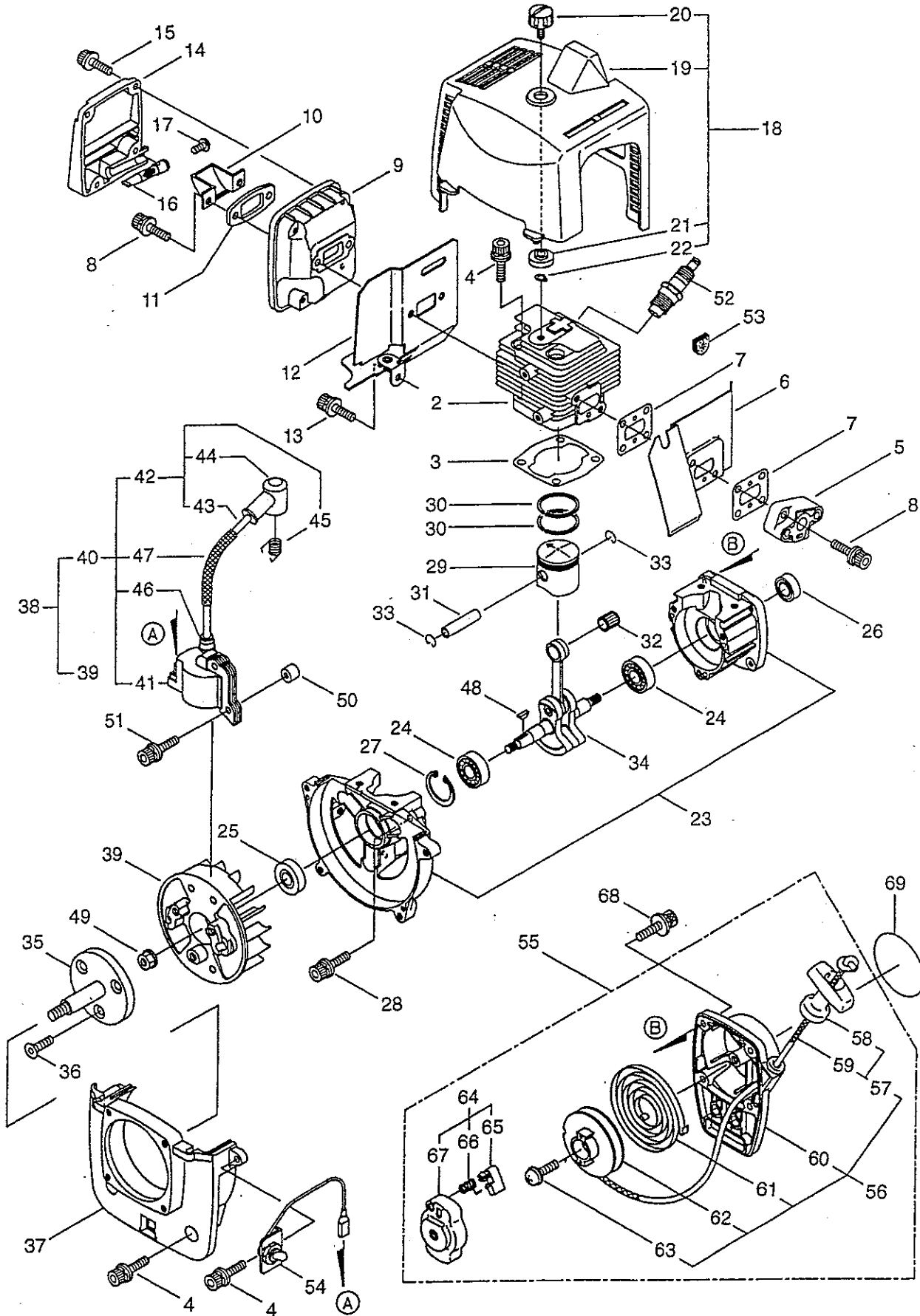


MP2532E2 Water Pump

Model MP2532E2 Main Body & Accessories

| Ref. No. | Part No. | Description | Q'ty | Remarks |
|----------|----------|--------------------|------|---------------------------------------|
| 1 | 332075 | MP2532E2 | 1 | |
| 2 | 240750 | Casing Cover | 1 | |
| 3 | 013918 | O-Ring | 4 | S5 |
| 4 | 550162 | Screw | 4 | M5 x 0.8 x 40 |
| 5 | 014070 | O-Ring | 1 | S150 |
| 6 | 240002 | Mechanical Seal | 1 | |
| 7 | 240654 | Plate | 1 | |
| 8 | 081709 | Screw | 2 | M4 x 8 |
| 9 | 240760 | Spacer | AR | $\phi 8.5 \times \phi 12 \times t0.5$ |
| 9 | 240761 | Spacer | AR | $\phi 8.5 \times \phi 12 \times t0.3$ |
| 10 | 240772 | Impeller | 1 | |
| 11 | 240773 | Scroll | 1 | |
| 12 | 027533 | O-Ring | 1 | P42 |
| 13 | 240779 | Handle | 1 | |
| 14 | 092519 | Bolt | 7 | M6 x 16 |
| 15 | 240774 | Base | 1 | |
| 16 | 240017 | Cushion Rubber | 4 | |
| 17 | 092513 | Bolt | 2 | M8 x 16 |
| 18 | 240012 | Plug | 2 | M24 |
| 19 | 020285 | O-Ring | 2 | P24 |
| 20 | 240556 | Discharge Valve | 1 | |
| 21 | 014178 | O-Ring | 1 | G35 |
| 22 | 240652 | Casing | 1 | |
| 23 | 240554 | Check Valve | 1 | |
| 24 | 240553 | Inlet Valve | 1 | |
| 25 | 092520 | Bolt | 4 | M6 x 20 |
| 26 | 240776 | Label | 1 | |
| 27 | 107483 | Label | 1 | |
| 28 | 240031 | Suction Hose Ass'y | 1 | Includes 29-33 |
| 29 | 240027 | Hose | 1 | $\phi 25 \times 3m$ |
| 30 | 240030 | Hose Band | 3 | |
| 31 | 240028 | Hose Coupling | 2 | PF1 |
| 32 | 240029 | Hose Coupling | 2 | |
| 33 | 021685 | Packing | 2 | $\phi 23 \times \phi 29 \times t2$ |
| 34 | 240101 | Hose Coupling | 1 | 3/4 |
| 35 | 240568 | Hose Coupling | 1 | 5/8 |
| 36 | 240564 | Strainer | 1 | |
| 37 | 210418 | Box Spanner | 1 | 13 x 19 x \oplus |
| 38 | 240777 | Owner's Manual | 1 | |

Model MP2532E2 Engine & Rewind Starter

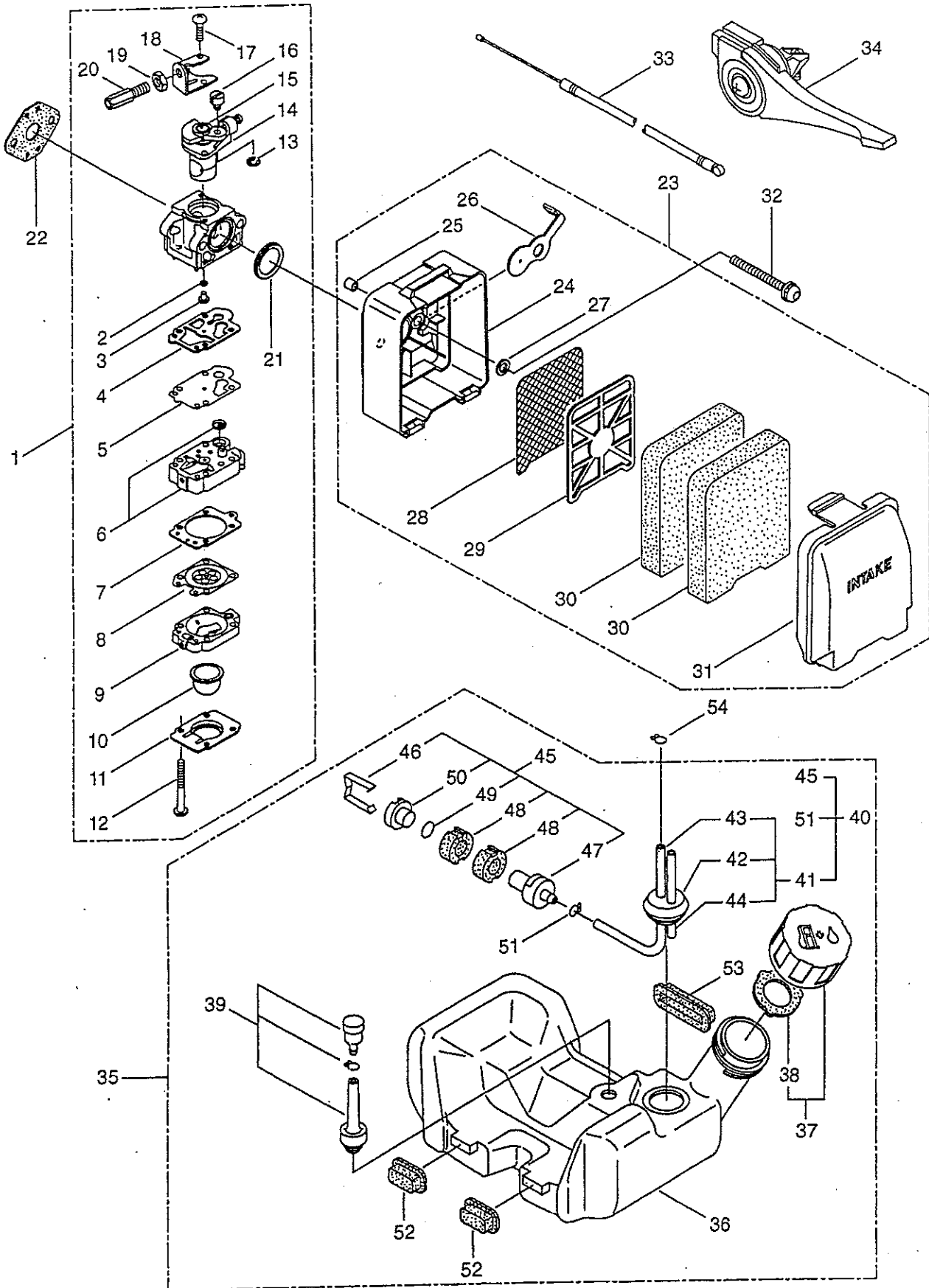


Model MP2532E2 Engine & Rewind Starter

| Ref. No. | Part No. | Description | Q'ty | Remarks |
|----------|----------|----------------------------|------|----------------------------|
| 2 | 261360 | Cylinder | 1 | New gasket required |
| 3 | 262201 | Gasket | 1 | |
| 4 | 261250 | Cap Screw | 8 | M5 x 20 |
| 5 | 261938 | Insulator | 1 | New gasket required |
| 6 | 261364 | Air Duct | 1 | |
| 7 | 261171 | Gasket | 2 | |
| 8 | 261246 | Cap Screw | 4 | M5 x 25 |
| 9 | 262400 | Muffler Body | 1 | New muffler cover required |
| 10 | 261368 | Deflector | 1 | |
| 11 | 261986 | Deflector Plate | 1 | |
| 12 | 261833 | Gasket | 1 | |
| 13 | 261607 | Cap Screw | 1 | M5 x 16 |
| 14 | 262401 | Muffler Cover | 1 | New muffler body required |
| 15 | 261250 | Cap Screw | 4 | M5 x 20 |
| 16 | 262395 | Spark Arrester | 1 | |
| 17 | 089596 | Screw, Spark Arrester | 1 | M3 x 10 |
| 18 | 265304 | Top Cover Ass'y | 1 | Includes 19-22 (No Label) |
| 19 | 265305 | Top Cover | 1 | New label required |
| 20 | 261018 | Knob | 1 | |
| 21 | 261020 | Spacer | 1 | |
| 22 | 261734 | Snap Ring | 1 | #5 |
| 23 | 261379 | Crankcase | 1 | |
| 24 | 261384 | Bearing | 2 | 6201C3 |
| 25 | 261385 | Oil Seal | 1 | ISCD12327 |
| 26 | 261386 | Oil Seal | 1 | ISCD12227 |
| 27 | 016732 | Snap Ring | 1 | H32 |
| 28 | 261612 | Cap Screw | 3 | M5 x 30 |
| 29 | 261388 | Piston | 1 | |
| 30 | 261390 | Piston Ring | 2 | (2) Required |
| 31 | 261555 | Piston Pin | 1 | |
| 32 | 261392 | Needle Bearing | 1 | KBK10 x 14 x 12.5 x 1 |
| 33 | 261393 | Clip, Piston Pin | 2 | |
| 34 | 261395 | Crankshaft/Conn. Rod Ass'y | 1 | |
| 35 | 265311 | Shaft | 1 | |
| 36 | 265312 | Screw | 3 | M6 x 15 |
| 37 | 264104 | Fan Cover | 1 | |
| 38 | 265306 | Magneto Ass'y | 1 | Includes 39-47 |
| 39 | 265307 | Rotor/Fan | 1 | |
| 40 | 261301 | Ignition Coil Ass'y | 1 | Includes 41-47 |
| 41 | 261302 | Coil | 1 | |
| 42 | 261744 | Spark Plug Wire Ass'y | 1 | Includes 43-45 |
| 43 | 261071 | Spark Plug Wire | 1 | |
| 44 | 261074 | Plug Boot | 1 | |
| 45 | 261075 | Connector | 1 | |
| 46 | 261072 | Cap | 1 | |
| 47 | 261073 | Insulator | 1 | φ6 x φ6.8 x 80L |
| 48 | 261076 | Woodruff Key | 1 | |
| 49 | 261417 | Nut, Rotor | 1 | M8 |

| Ref. No. | Part No. | Description | Q'ty | Remarks |
|----------|----------|----------------------|------|-----------------|
| 50 | 261078 | Spacer | 2 | |
| 51 | 261256 | Cap Screw | 2 | M4 x 25 |
| 52 | 261200 | Spark Plug | 1 | NGK BPM6Y |
| 53 | 261202 | Grommet | 1 | |
| 54 | 265308 | Switch Ass'y | 1 | |
| 55 | 261419 | Rewind Starter Ass'y | 1 | Includes 56-67 |
| 56 | 261420 | Rewind Ass'y | 1 | Includes 57-63 |
| 57 | 261723 | Rope Ass'y | 1 | Includes 58, 59 |
| 58 | 261725 | Starter Grip | 1 | |
| 59 | 261724 | Starter Rope | 1 | |
| 60 | 261719 | Starter Case | 1 | |
| 61 | 261721 | Rewind Spring | 1 | |
| 62 | 261720 | Pulley | 1 | |
| 63 | 262922 | Screw | 1 | |
| 64 | 263475 | Starter Pawl Ass'y | 1 | Includes 65-67 |
| 65 | 263477 | Pawl | 1 | |
| 66 | 261728 | Return Spring | 1 | |
| 67 | 263476 | Pawl Case | 1 | |
| 68 | 261257 | Cap Screw | 4 | M4 x 16 |
| 69 | 264525 | Label | 1 | |

Model MP2532E2 Carburetor & Fuel Tank Assembly



Model MP2532E2 Carburetor & Fuel Tank Assembly

| Ref. No. | Part No. | Description | Q'ty | Remarks |
|----------|----------|-------------------------|------|-----------------------------------|
| 1 | 265313 | Carburetor Ass'y | 1 | Includes 2-21 New gasket Required |
| 2 | 261871 | O-Ring | 1 | |
| 3 | 262123 | Main Jet | 1 | #44 |
| 4 | 262995 | Gasket | 1 | |
| 5 | 262994 | Diaphragm, Fuel Pump | 1 | |
| 6 | 263739 | Pump Body | 1 | |
| 7 | 262993 | Gasket | 1 | |
| 8 | 261873 | Diaphragm, Metering | 1 | |
| 9 | 262991 | Purge Body | 1 | |
| 10 | 261874 | Primer Bulb | 1 | |
| 11 | 262992 | Cover Plate | 1 | |
| 12 | 262996 | Screw | 4 | |
| 13 | 261876 | E-Ring | 1 | |
| 14 | 265448 | Throttle Valve Ass'y | 1 | |
| 15 | 261652 | Plug | 1 | |
| 16 | 261658 | Swivel | 1 | |
| 17 | 261875 | Screw | 2 | |
| 18 | 263250 | Bracket | 1 | |
| 19 | 261878 | Nut | 1 | |
| 20 | 261877 | Adapter | 1 | |
| 21 | 261657 | Packing | 1 | |
| 22 | 261864 | Gasket | 1 | |
| 23 | 265315 | Air Filter Ass'y | 1 | Includes 24-30 |
| 24 | 263723 | Housing | 1 | |
| 25 | 263715 | Sleeve | 2 | |
| 26 | 263007 | Choke Valve | 1 | |
| 27 | 263000 | Washer | 1 | |
| 28 | 265314 | Screen | 1 | |
| 29 | 263717 | Screen | 1 | |
| 30 | 263714 | Foam Element | 2 | |
| 31 | 263713 | Air Filter Cover | 1 | |
| 32 | 262720 | Cap Screw | 2 | M5 x 55 |
| 33 | 265316 | Cable Comp. | 1 | |
| 34 | 264876 | Throttle Trigger | 1 | |
| 35 | 264749 | Fuel Tank Ass'y | 1 | Includes 36-53 |
| 36 | 264752 | Fuel Tank | 1 | |
| 37 | 261584 | Fuel Tank Cap Ass'y | 1 | Include 38 |
| 38 | 261105 | Gasket | 1 | |
| 39 | 261696 | Breather Ass'y | 1 | |
| 40 | 263800 | Fuel Pipe Pick-up Ass'y | 1 | Includes 41-51 |
| 41 | 264031 | Fuel Pipe Ass'y | 1 | Includes 42-44 |
| 42 | 261115 | Grommet | 1 | |
| 43 | 261690 | Fuel Pipe | 1 | |
| 44 | 263038 | Return Pipe | 1 | φ3 x φ5 x 80L |
| 45 | 261797 | Fuel Filter Ass'y | 1 | Includes 46-50 |
| 46 | 261798 | Clip | 1 | |
| 47 | 261799 | Body | 1 | |
| 48 | 261800 | Filter | 2 | |
| 49 | 261801 | Packing | 1 | |
| 50 | 261802 | Retainer | 1 | |
| 51 | 261117 | Clip | 1 | |
| 52 | 261118 | Pad | 2 | |
| 53 | 261119 | Pad | 1 | |
| 54 | 261117 | Clip | 1 | |



**For a complete line of Professional Trimmers,
Brushcutters, Hedgetrimmers, Handheld &
Backpack Blowers, Pumps and Sprayers,
Contact -**

MARUYAMA U.S., INC.
301 - 30TH Street NE, Suite 118, Auburn, WA 98002
PO Box 309, Auburn, WA 98071-0309
Phone (253) 735-7368 - Fax (253) 735-1416