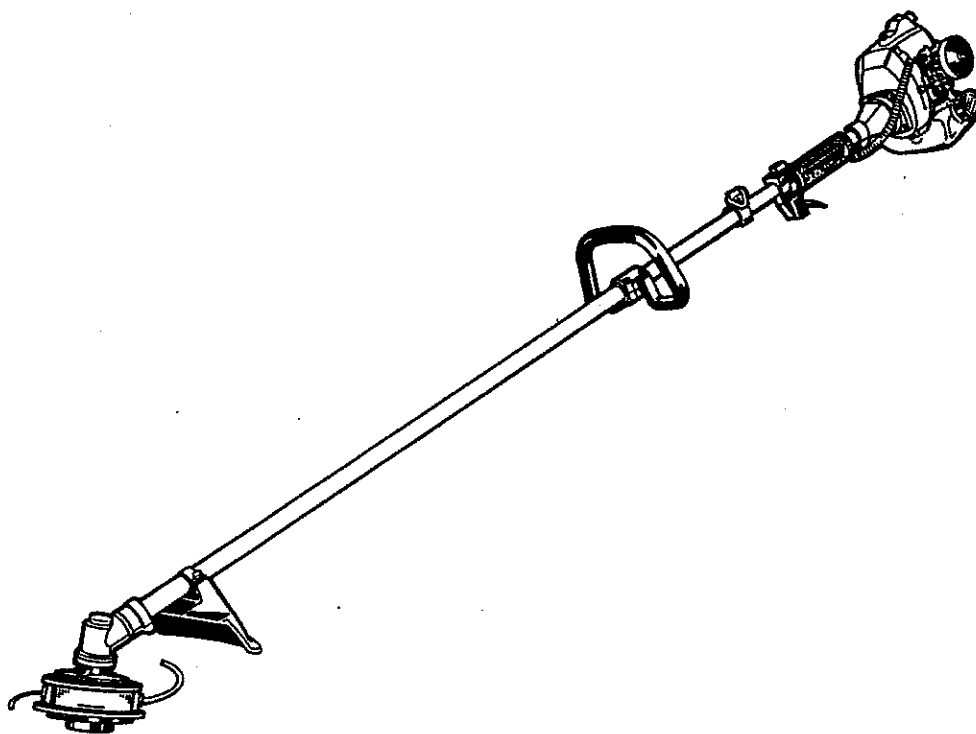


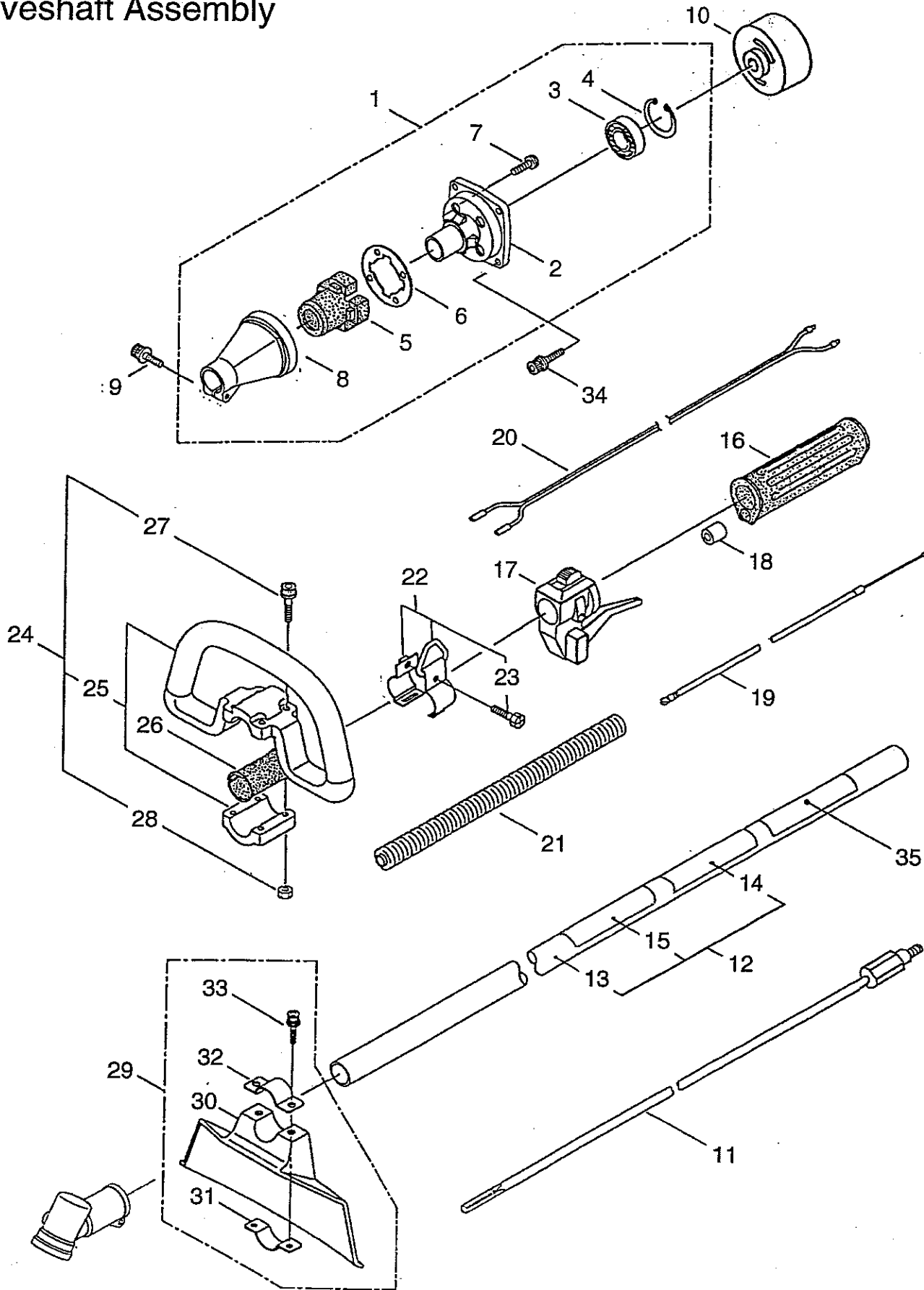
ILLUSTRATED PARTS LIST

Model ML23S



ML23S String Trimmer

Model ML23S Driveshaft Assembly

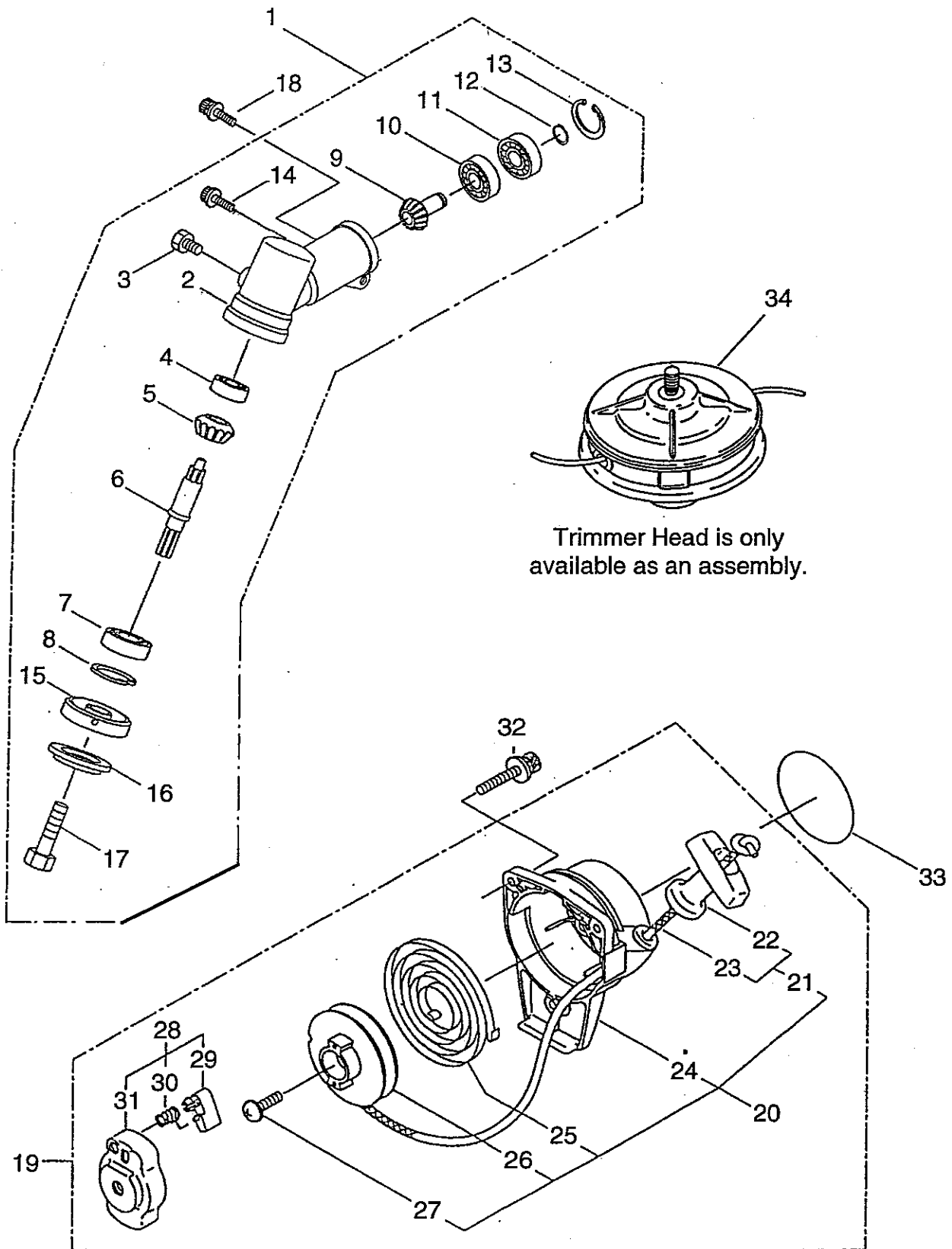


Model ML23S Driveshaft Assembly

Ref. No.	Part No.	Description	Q'ty	Remarks
1	220061	Clutch Case Assembly	1	Includes 2~8
2	220062	Bearing Case	1	
3	261743	Bearing	1	#6000ZZ
4	054676	Snap Ring	1	H26
5	214162	Buffer	1	
6	214163	Washer	1	
7	092033	Screw	4	M5 x 15
8	214593	Driveshaft Tube Adapter	1	
9	261246	Cap Screw	1	M5 x 25
10	054677	Clutch Drum	1	
11	220064	Driveshaft Assembly	1	
12	220078	Driveshaft Tube Assembly	1	Includes 13~15
13	218711	Driveshaft Tube	1	
14	215534	Label	1	
15	215535	Label	1	
16	215532	Shaft Grip	1	
17	219086	Throttle Trigger	1	
18	214083	Outer Guide	1	
19	213444	Throttle Cable	1	340L
20	213445	Lead Wire, Stop Switch	1	
21	213548	Plastic Tube	1	
22	054691	Hanging Bracket Assembly	1	Includes 23
23	089738	Bolt	1	M5 x 15
24	215601	Loop Handle Assembly	1	Includes 25~28
25	214982	Loop Handle	1	
26	213171	Packing	1	
27	215608	Cap Screw	4	M5 x 30 x 16
28	089846	Nut	4	M5
29	220097	Shield Assembly	1	Includes 30~33
30	220098	Shield	1	
31	212994	Threaded Bracket	1	
32	212995	Bracket	1	
33	261246	Cap Screw	2	M5 x 25
34	261250	Cap Screw	4	M5 x 20
35	220068	Label	1	

Model ML23S

Gearcase, Trimmer Head and Starter Assembly

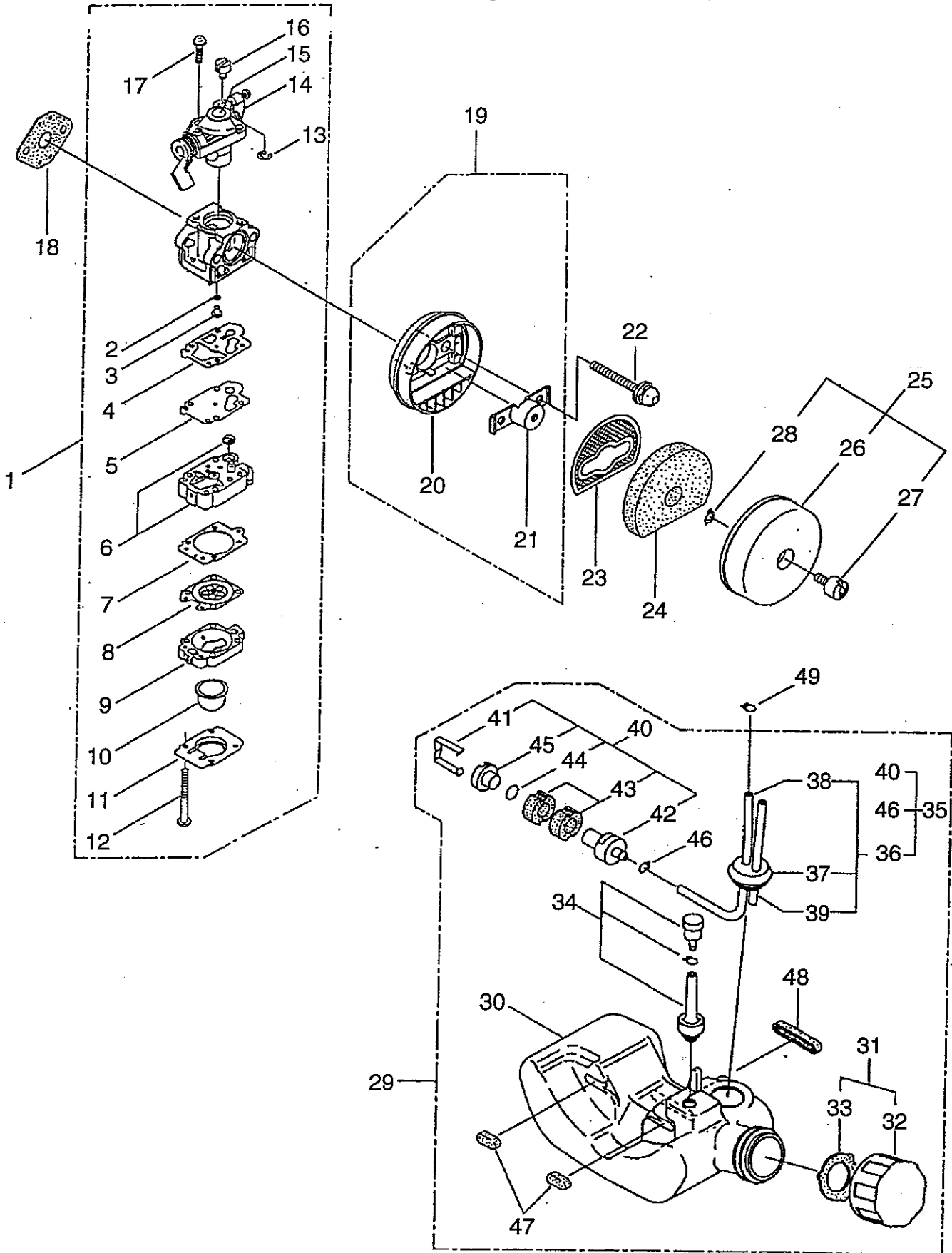


Model ML23S
Gearcase, Trimmer Head and Starter Assembly

Ref. No.	Part No.	Description	Q'ty	Remarks
1	220066	Gearcase Assembly	1	Includes 2~17
2	220067	Gearcase	1	
3	089819	Bolt	1	M6 x 8
4	210554	Bearing	1	#608
5	210555	Gear	1	
6	215762	Blade Shaft	1	
7	212999	Bearing	1	#6001 2RK
8	055185	Snap Ring	1	H28
9	215544	Pinion Gear	1	
10	210560	Bearing	1	#609
11	140268	Bearing	1	#609Z
12	140269	Snap Ring	1	WR9
13	140270	Snap Ring	1	H24
14	261246	Cap Screw	1	M5 x 25
15	212986	Boss Adapter	1	
16	212987	Clamping Washer	1	
17	089432	Bolt	1	M8 x 18, Left-hand
18	215993	Cap Screw	1	M5 x 10
19	263807	Recoil Starter Assembly	1	Includes 20~31
20	263808	Recoil Assembly	1	includes 21~27
21	115096	Rope Assembly	1	Includes 22, 23
22	261725	Starter Grip	1	
23	261627	Starter Rope	1	
24	263913	Starter Case	1	
25	261622	Spiral Spring	1	
26	261621	Pulley	1	
27	262922	Screw	1	
28	263471	Starter Pawl Assembly	1	Includes 29~31
29	263473	Pawl	1	
30	263474	Return Spring	1	
31	263472	Pawl Case	1	
32	261257	Cap Screw	3	M4 x 16
33	264742	Label	1	
34	840466	Trimmer Head Assembly	1	

Model ML23S

Carburetor and Fuel Tank Assembly

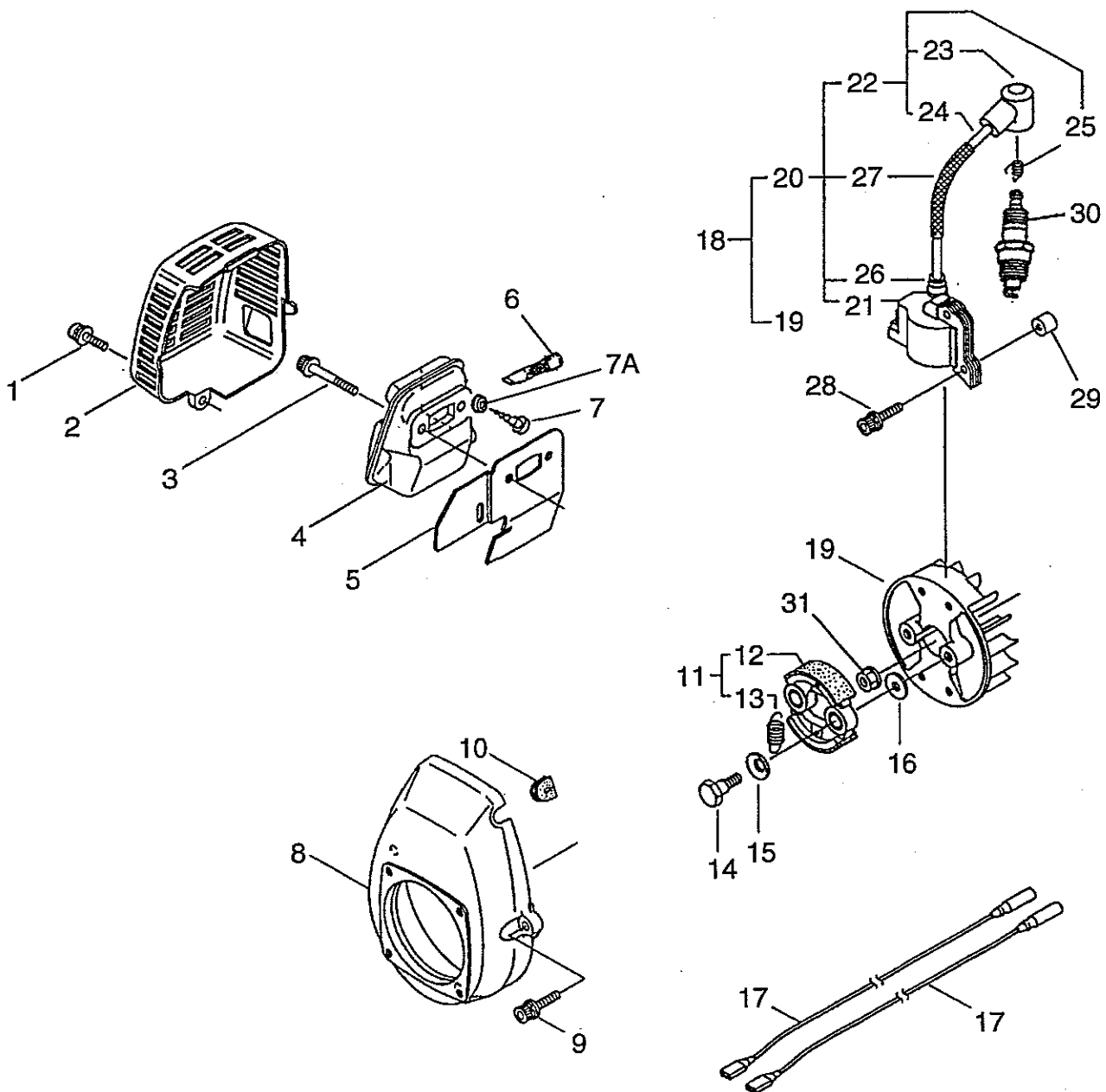


Model ML23S

Carburetor and Fuel Tank Assembly

Ref. No.	Part No.	Description	Q'ty	Remarks
1	264783	Carburetor Assembly	1	Includes 2~17
2	261871	O-Ring	1	
3	262730	Main Jet	1	#39
4	262995	Gasket	1	
5	262994	Diaphragm, Fuel Pump	1	
6	264155	Pump Body	1	
7	262993	Gasket	1	
8	261873	Diaphragm, Metering	1	
9	262991	Purge Body	1	
10	261874	Primer Bulb	1	
11	262992	Cover Plate	1	
12	262996	Screw	4	
13	261876	E-Ring	1	
14	264808	Throttle Valve Assembly	1	
15	261652	Plug	1	
16	261658	Swivel	1	
17	264682	Screw	2	
18	261864	Gasket	1	
19	264721	Case Assembly	1	Includes 20,21
20	264722	Case Body	1	
21	263815	Stay	1	
22	264016	Cap Screw	2	M5 x 60
23	263801	Screen	1	
24	263819	Foam Element	1	
25	264344	Cover Assembly	1	Includes 26~28
26	264345	Cover	1	
27	264022	Knob	1	
28	261734	Snap Ring	1	#5
29	264788	Fuel Tank Assembly	1	Includes 30~48
30	264317	Fuel Tank	1	
31	264784	Fuel Tank Cap Assembly	1	Includes 31, 32
32	264703	Fuel Tank Cap	1	
33	261105	Gasket	1	
34	261696	Breather Assembly	1	
35	263800	Fuel Pipe Pick-up Assembly	1	Includes 36~48
36	264031	Fuel Pipe Assembly	1	Includes 37~39
37	261115	Grommet	1	
38	261690	Fuel Pipe	1	
39	263038	Return Pipe	1	ø3 x ø5 x 80L
40	261797	Fuel Filter Assembly	1	Includes 41~45
41	261798	Clip	1	
42	261799	Body	1	
43	261800	Filter	2	
44	261801	Packing	1	
45	261802	Retainer	1	
46	261117	Clip	1	
47	264318	Pad	2	
48	263824	Pad	1	
49	261117	Clip	1	

Model ML23S Exhaust, Ignition And Clutch Shoe Assembly

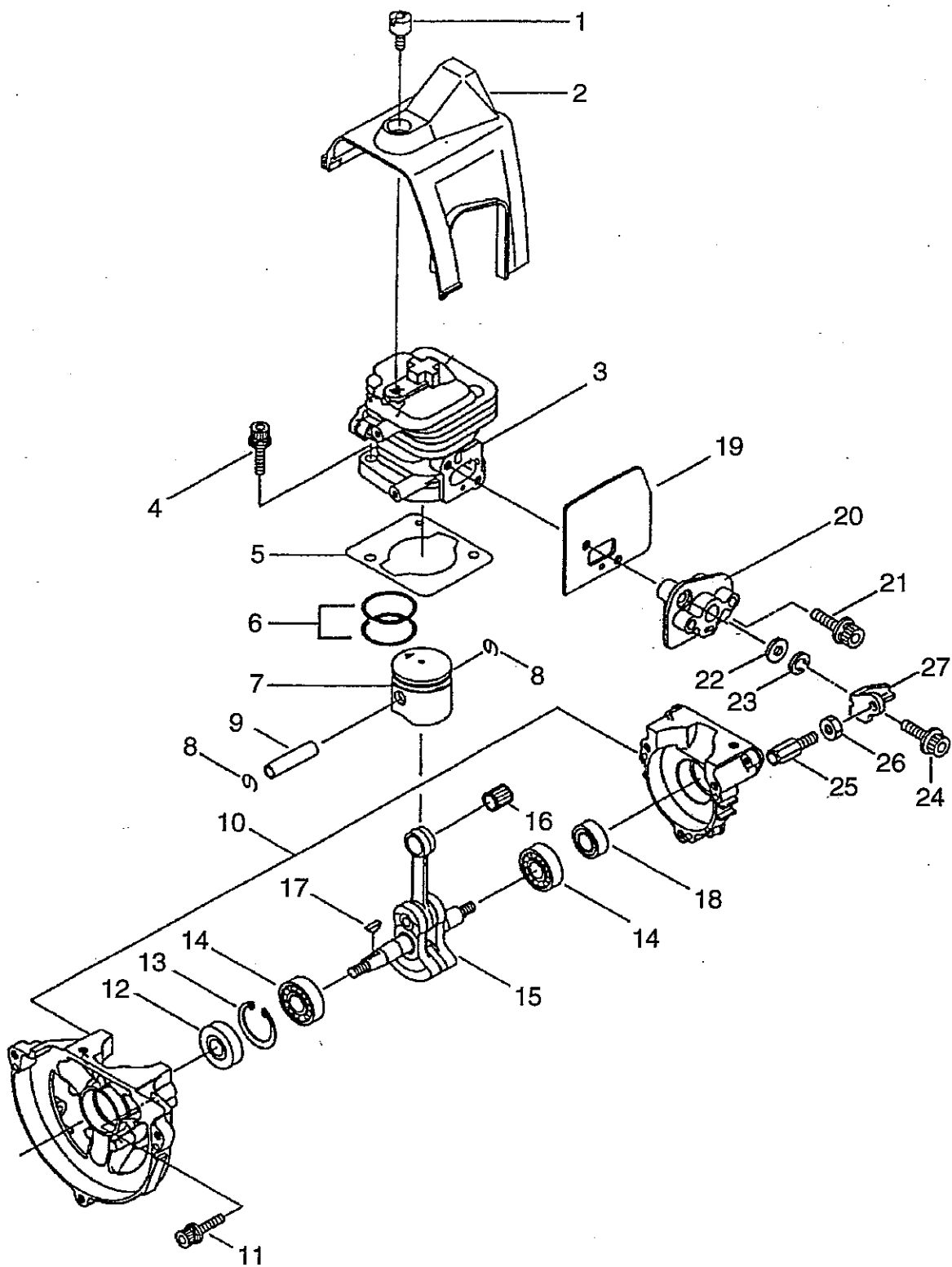


Model ML23S

Exhaust, Ignition And Clutch Shoe Assembly

Ref. No.	Part No.	Description	Q'ty	Remarks
1	261607	Cap Screw	1	M5 x 16
2	263802	Muffler Cover	1	
3	264223	Cap Screw	2	M5 x 40
4	264729	Muffler	1	
5	263777	Gasket	1	
6	262395	Spark Arrester	1	
7	089530	Tapping Screw	1	M3 x 10
7A	264857	Washer	1	
8	264732	Fan Cover	1	
9	261250	Cap Screw	3	M5 x 20
10	261202	Grommet	1	
11	264025	Clutch Assembly	1	Includes 12~16
12	264026	Clutch Shoe	2	(2) Required
13	264028	Clutch Spring	1	
14	264505	Bolt	2	
15	261189	Washer	2	ø6 x ø16.5 x t1.2
16	261777	Wave Washer	2	
17	263804	Wire, Coil Ground	1	
18	263976	Magneto Assembly	1	Includes 19~27
19	263570	Flywheel	1	
20	263978	Ignition Coil Assembly	1	Includes 21~27
21	263977	Coil	1	
22	261744	Spark Plug Wire Assembly	1	Includes 23~25
23	261074	Plug Boot	1	
24	261071	Spark Plug Wire	1	
25	261075	Connector	1	
26	261072	Cap	1	
27	261073	Insulator	1	ø6 x ø6.8 x 80L
28	261256	Cap Screw	2	M4 x 25
29	261078	Spacer	2	
30	261200	Spark Plug	1	NGK BPM6Y
31	261077	Nut, Flywheel	1	M6

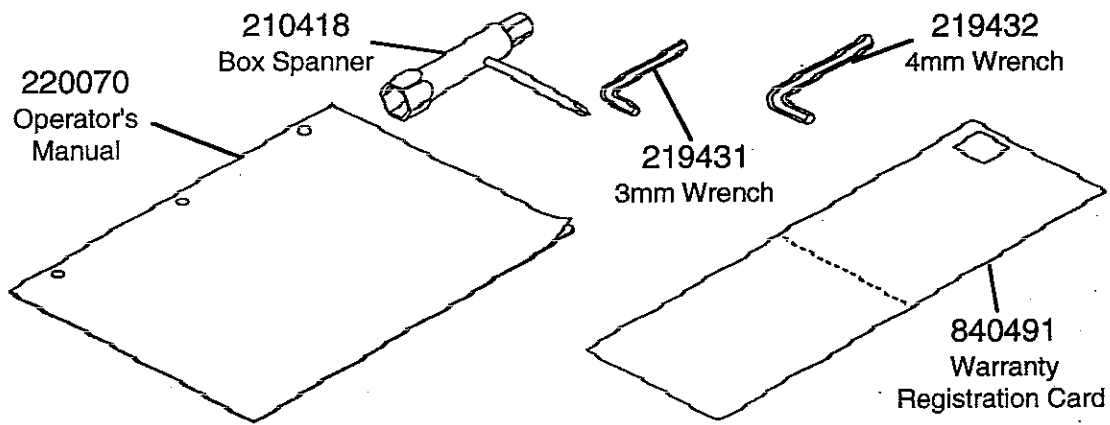
Model ML23S Engine Assembly



Model ML23S Engine Assembly

Ref. No.	Part No.	Description	Q'ty	Remarks
1	264022	Knob	1	
2	264733	Cylinder Cover	1	
3	263768	Cylinder	1	New gasket required
4	261250	Cap Screw	2	M5 x 20
5	263770	Gasket	1	
6	264891	Piston Ring	2	(2) Required
7	264719	Piston	1	
8	261576	Clip, Piston Pin	2	
9	261036	Piston Pin	1	
10	264312	Crankcase	1	
11	261612	Cap Screw	3	M5 x 30
12	262712	Oil Seal	1	TC10267
13	054676	Snap Ring	1	H26
14	261181	Bearing	2	#6000C3
15	263719	Crankshaft/Connecting Rod Ass'y	1	
16	263957	Needle Bearing	1	KTV81112EG01 B2
17	261076	Woodruff Key	1	
18	262713	Oil Seal	1	TC10207
19	263774	Gasket	1	
20	263772	Insulator	1	New gasket required
21	261246	Cap Screw	1	M5 x 25
22	012487	Washer	1	M5
23	089901	Spring Washer	1	M5
24	215351	Cap Screw	1	M5 x 25
25	263994	Adapter	1	
26	261878	Nut	1	
27	264634	Stay	1	

Accessories





Maruyama U.S., Inc.
3570 Shelby Lane
Denton, TX 76207
940-383-7400 voice
940-383-7466 fax

www.maruyama-us.com