

1	2	3	4
5	6	7	8
9	10	11	12
13	14	15	16
17	18	19	20
21	22	23	24
25	26	27	28
29	30	31	32
33	34	35	36
37	38	39	40
41	42	43	44
45	46	47	48
49	50	51	52
53	54	55	56
57	58	59	60
61	62	63	64
65	66	67	68
69	70	71	72
73	74	75	76
77	78	79	80
81	82	83	84
85	86	87	88
89	90	91	92
93	94	95	96
97	98	99	100



ILLUSTRATED PARTS LIST

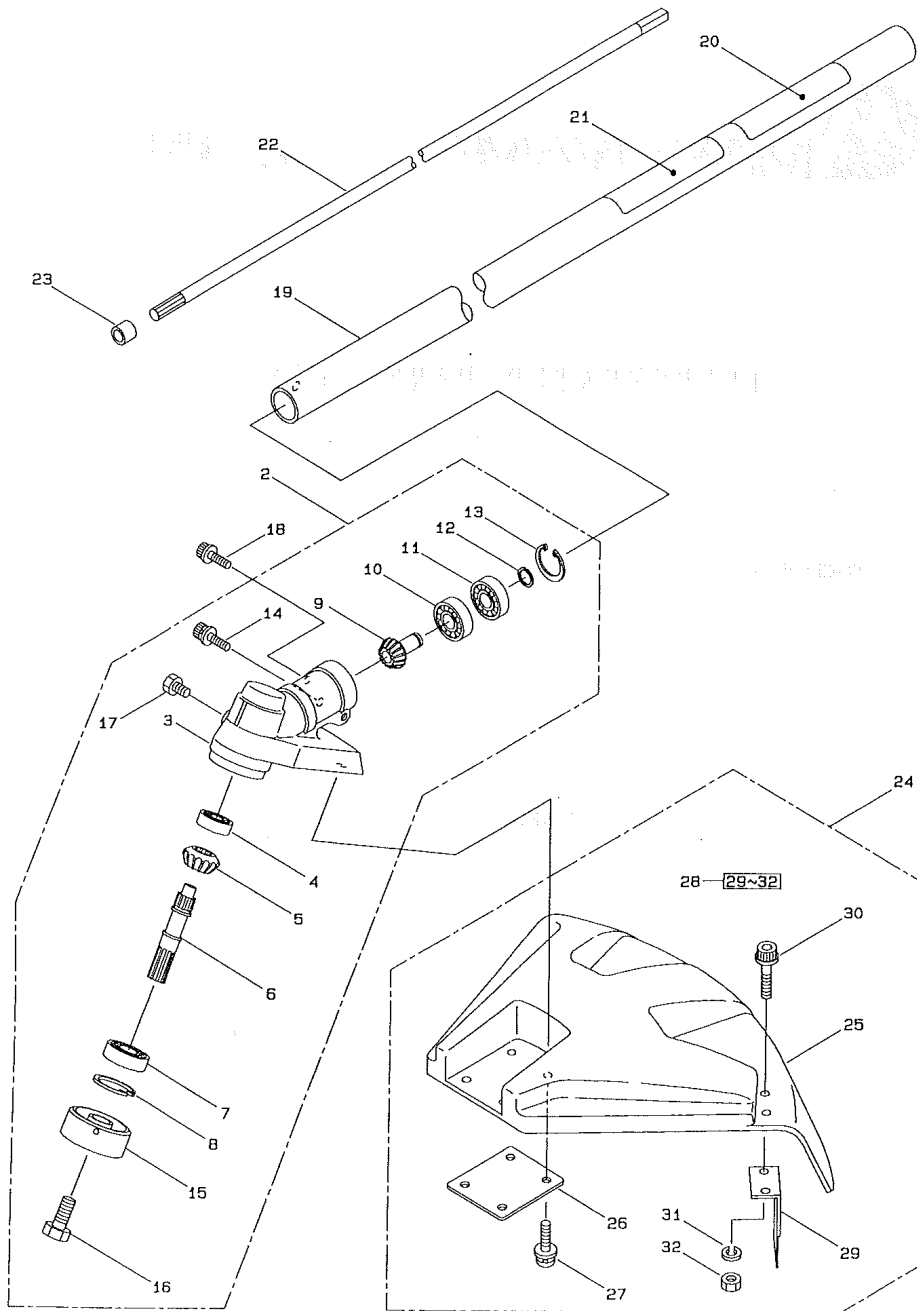
MODEL: MC-SA

CONTENTS	
MC-SA	PAGE
.....	1~ 2

1997. 7.

P/N 520858

MC-SA



Ref.No	Part No.	Part Name	Q'ty	Remarks
1	347602	MC-SA	1	MUS
2	221834	Gearcase Ass'y	1	Incl. 3~17
3	219077	Gearcase	1	
4	210554	Bearing	1	#608
5	210555	Gear	1	
6	215762	Blade Shaft	1	
7	212999	Bearing	1	#6001 2RK
8	055185	Snap Ring	1	H28
9	215544	Pinion Gear	1	
10	210560	Bearing	1	#609
11	140268	Bearing	1	#609Z
12	140269	Snap Ring	1	WR9
13	140270	Snap Ring	1	H24
14	261246	Cap Screw	1	M5x25
15	221467	Boss Adapter	1	
16	221998	Bolt	1	M8x12, Counterclockwise
17	089884	Bolt	1	M8x10
18	215993	Cap Screw	1	M5x10
19	220218	Driveshaft Tube	1	
20	215534	Label	1	
21	215535	Label	1	
22	216090	Driveshaft	1	
23	216079	Stopper	1	
24	221833	Safety Cover Ass'y	1	Incl. 25~32
25	221403	Safety Cover	1	
26	221469	Plate	1	
27	221785	Cap Screw	4	M5x12
28	221836	String Cutter Ass'y	1	Incl. 29~32
29	221438	String Cutter	1	
30	215351	Cap Screw	2	M5x25
31	089901	Spring Washer	2	M5
32	089846	Nut	2	M5