



MARUYAMA U.S., INC.

15436 N.E. 95th St., Redmond, Washington 98052
P.O. Box 2167, Redmond, Washington 98073-2167
Phone (206) 885-0811 Fax (206) 885-0123

PARTS LIST MODEL HT241

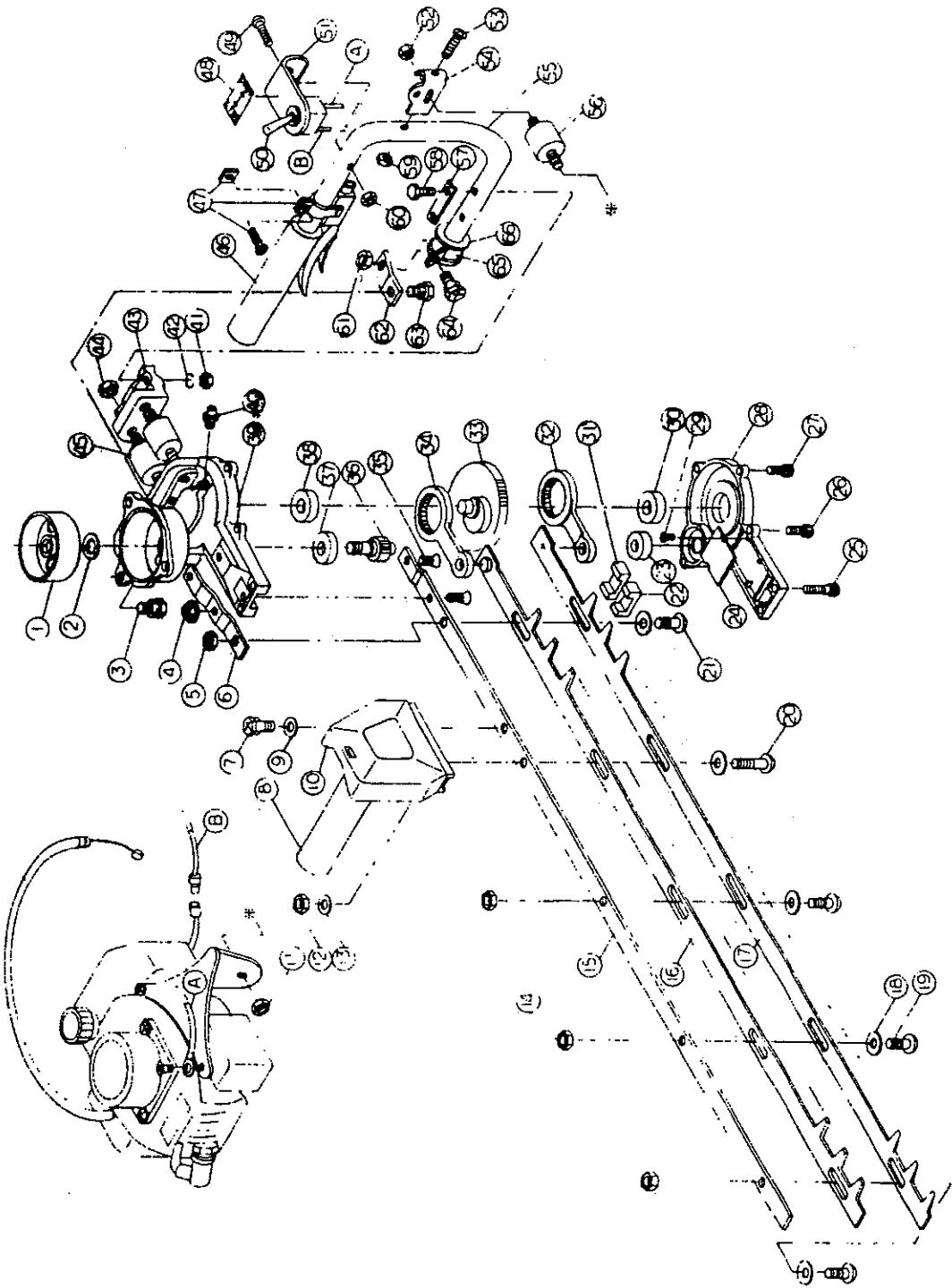
January 1, 1987

Maruyama — Manufacturing quality equipment since 1895.

PARTS LIST

MODEL HT241

1. MEIN BODY



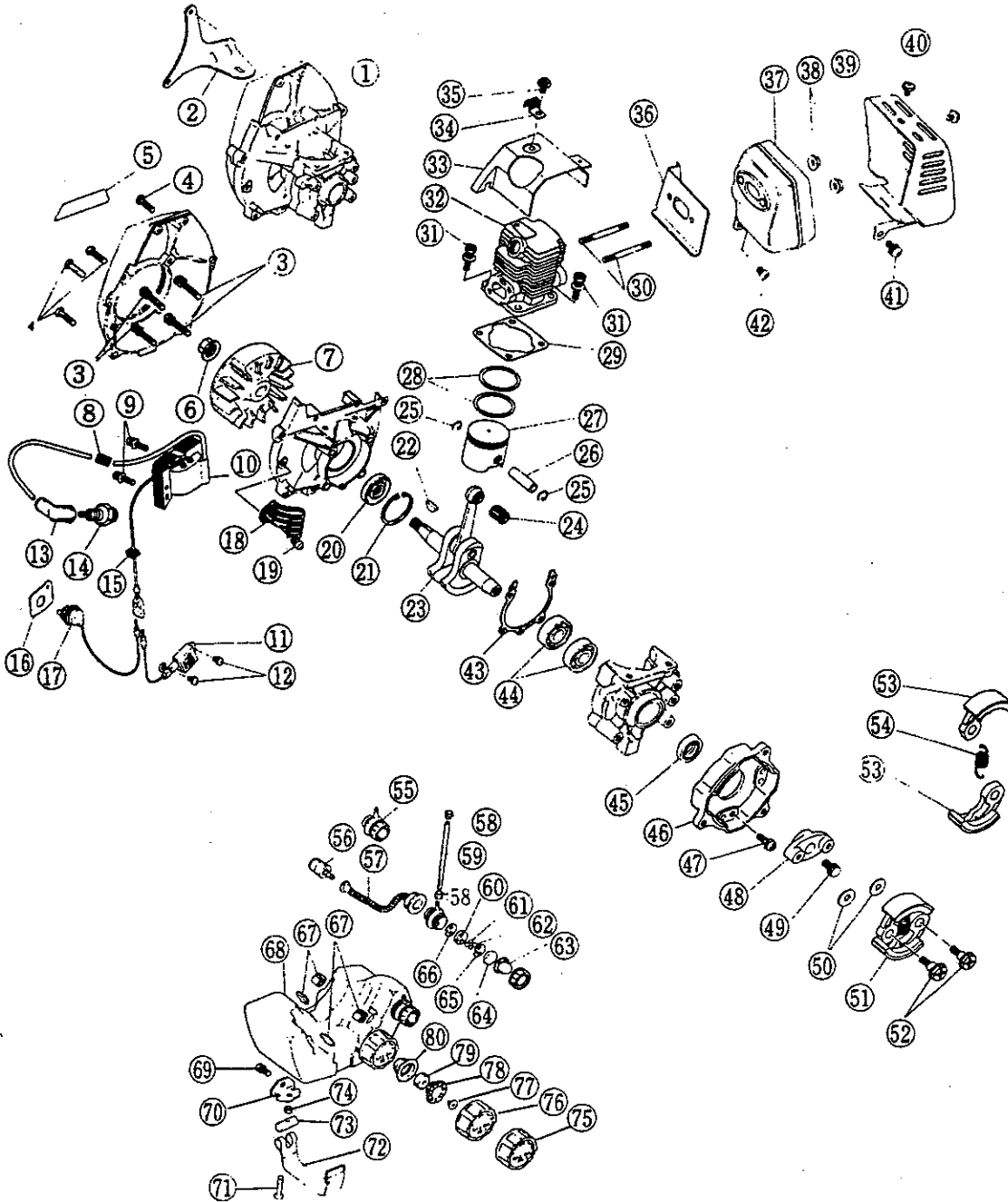
MARUYAMA U.S.,INC.

| Ref No. | Parts No. | Parts Name | Q'ty | Ref No. | Parts No. | Parts Name | Q'ty |
|---------|-----------|---|------|---------|-----------|--------------------------------------|------|
| 1-1 | 991970 | Drum | 1 | 1-41 | 991938 | Hexagon nut (M5) | 2 |
| 1-2 | 991934 | Drum collar | 1 | 1-42 | 991939 | Spring lock washer (M5) | 2 |
| 1-3 | 991971 | Hexagon head bolt (M6×15)(washer/sw) | 2 | 1-43 | 997237 | Metal for handle fitting | 1 |
| 1-4 | 997244 | Frang nut (M5) | 2 | 1-44 | 991941 | Hexagon u-nut (M6) | 2 |
| 1-5 | 991941 | Hexagon u-nut (M6) | 1 | 1-45 | 991942 | Rubber for anti-vibration | 2 |
| 1-6 | 991973 | Reinforcing plate | 1 | 1-46 | 997238 | Handle rubber | 1 |
| 1-7 | 997245 | Hexagon head bolt (M6×18)(washer/sw) | 1 | 1-47 | 997327 | Throttle lever ass'y (trigger lever) | 1 |
| 1-8 | 997238 | Handle rubber | 1 | 1-48 | 997239 | Name plate | 1 |
| 1-9 | 997246 | Plain washer (M6)($\phi 6.5 \times \phi 16 \times 2.0$) | 1 | 1-49 | 991954 | Screw (M5×25) | 1 |
| 1-10 | 997247 | Right handle | 1 | 1-50 | 997240 | Switch ass'y | 1 |
| 1-11 | 991941 | Hexagon u-nut (M6) | 1 | 1-51 | 997241 | Switch stay | 1 |
| 1-12 | 991941 | Hexagon u-nut (M6) | 1 | 1-52 | 991941 | Hexagon u-nut (M6) | 1 |
| 1-13 | 991964 | Plain washer (M6)($\phi 6.5 \times \phi 13 \times 1.0$) | 1 | 1-53 | 991954 | Screw (M5×25) | 1 |
| 1-14 | 991941 | Hexagon u-nut (M6) | 3 | 1-54 | 997242 | Stay for anti-vibration rubber B | 1 |
| 1-15 | 997248 | Plate | 1 | 1-55 | 997243 | Left handle | 1 |
| 1-16 | 997249 | Upper Blade | 1 | 1-56 | 991961 | Rubber for anti-vibration | 1 |
| 1-17 | 997250 | Lower Blade | 1 | 1-57 | 991952 | Handle fitting | 1 |
| 1-18 | 991913 | Washer for blade slide | 5 | 1-58 | 997252 | Hexagon head bolt (M5×35) | 2 |
| 1-19 | 991914 | Screw for fitting blade (L = 19) | 3 | 1-59 | 991938 | Hexagon nut (M5) | 1 |
| 1-20 | 991918 | Screw for fitting blade (L = 29) | 1 | 1-60 | 991938 | Hexagon nut (M5) | 1 |
| 1-21 | 991912 | Screw for fitting blade (L = 22) | 1 | 1-61 | 997253 | Hexagon nut (M6) | 1 |
| 1-22 | 991926 | Felt A | 1 | 1-62 | 997254 | Bracket | 1 |
| 1-23 | 991928 | Ball bearing (# 608-ZZ) | 1 | 1-63 | 997245 | Hexagon head bolt (M6×18)(Washer/sw) | 1 |
| 1-24 | 991919 | Rod slide plate | 1 | 1-64 | 991971 | Hexagon head bolt (M6×15)(Washer/sw) | 1 |
| 1-25 | 991920 | Hexagon socket head bolt (M5×22) | 2 | 1-65 | 991949 | Stop ring | 1 |
| 1-26 | 991921 | Hexagon socket head bolt (M5×18) | 2 | 1-66 | 991950 | Stopper | 1 |
| 1-27 | 991922 | Hexagon socket head bolt (M5×15) | 3 | | | | |
| 1-28 | 997251 | Lower case | 1 | | | | |
| 1-29 | 991924 | Screw (M3×5) | 2 | | | | |
| 1-30 | 991925 | Ball Bearing (# 6000-zz) | 1 | | | | |
| 1-31 | 991927 | Felt B | 1 | | | | |
| 1-32 | 991929 | Rod | 1 | | | | |
| 1-33 | 997235 | Gear (large) | 1 | | | | |
| 1-34 | 991929 | Rod | 1 | | | | |
| 1-35 | 991931 | Screw (M5×20) | 2 | | | | |
| 1-36 | 991932 | Gear (Small) | 1 | | | | |
| 1-37 | 991933 | Ball bearing (# 6000-2RS) | 1 | | | | |
| 1-38 | 991925 | Ball bearing (# 6000-zz) | 1 | | | | |
| 1-39 | 997236 | Middle case | 1 | | | | |
| 1-40 | 991937 | Grease Nipple (M6) | 1 | | | | |

PARTS LIST

MODEL HT241

2. ENGINE (CRANK CASE, CYLINDER)



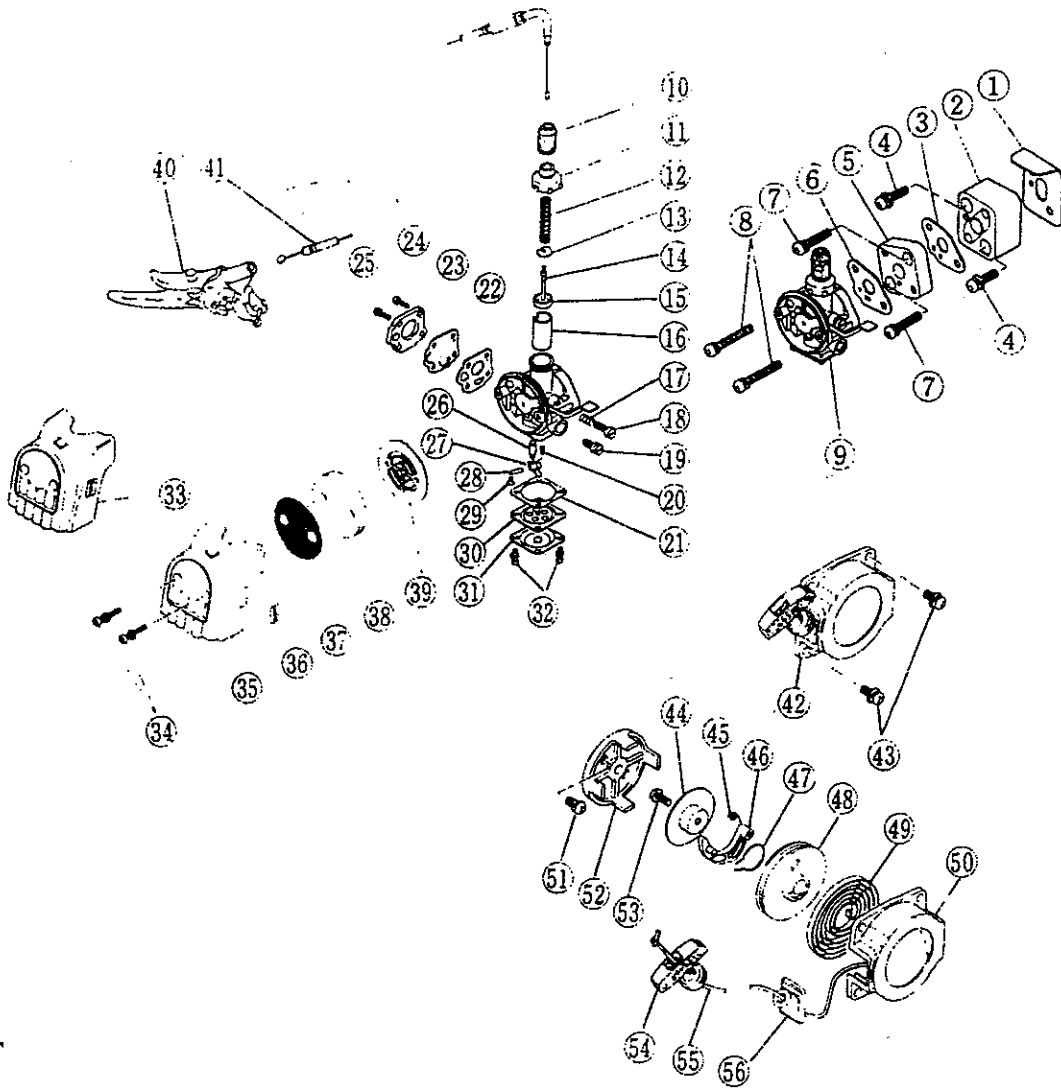
MARUYAMA U.S.,INC.

| Ref.No | Parts No. | Parts Name | Q'ty | Ref.No. | Parts No. | Parts Name | Q'ty |
|--------|-----------|--------------------------------------|------|---------|-----------|---|------|
| 2-1 | 997330 | Crank case ass'y (with ref No.3,4) | 1 | 2-41 | 979338 | Screw | 1 |
| 2-2 | 997255 | Bracket | 1 | 2-42 | 997337 | Screw | 1 |
| 2-3 | 971819 | Screw | 4 | 2-43 | 972820 | Packing, case | 1 |
| 2-4 | 912606 | Screw | 4 | 2-44 | 971823 | Bearing, ball (# 6201) | 2 |
| 2-5 | 997331 | Name plate | 1 | 2-45 | 971734 | Oil seal (TC12.22,7) | 1 |
| 2-6 | 990136 | Nut | 1 | 2-46 | 997256 | Case, clutch | 1 |
| 2-7 | 997332 | Flywheel | 1 | 2-47 | 971817 | Screw | 4 |
| 2-8 | 971733 | Bush, dust seal | 1 | 2-48 | 997301 | Base, clutch | 1 |
| 2-9 | 977301 | Bolt | 2 | 2-49 | 997302 | Bolt | 1 |
| 2-10 | 991092 | Coil, ignition | 1 | 2-50 | 912642 | washer | 2 |
| 2-11 | 991100 | Unit, transister | 1 | 2-51 | 997338 | Clutch ass'y (with ref No.53,54) | 1 |
| 2-12 | 970899 | Screw | 2 | 2-52 | 990679 | Bolt, clutch | 2 |
| 2-13 | 977306 | Cap. spark plug | 1 | 2-53 | 997339 | Clutch, shoe | 2 |
| 2-14 | 971724 | Spark plug(NGK BM6A) | 1 | 2-54 | 997340 | Spring | 1 |
| 2-15 | 971732 | Bush, dust seal | 1 | 2-55 | 971736 | Primer pump ass'y (with ref No.60~66) | 1 |
| 2-16 | 977445 | Bracket, stop switch | 1 | 2-56 | 971737 | Filter, fuel | 1 |
| 2-17 | 977442 | Stop switch | 1 | 2-57 | 977571 | Hose, fuel pick-up | 1 |
| 2-18 | 977311 | Clamp | 1 | 2-58 | 971781 | Clip, fuel pipe | 2 |
| 2-19 | 972891 | Screw | 1 | 2-59 | 912652 | Pipe, fuel | 1 |
| 2-20 | 972843 | Oil seal (TC9, 12, 32,7,10) | 1 | 2-60 | 972811 | Seat, valve A | 1 |
| 2-21 | 971824 | Snap ring | 1 | 2-61 | 972813 | Ball | 2 |
| 2-22 | 972897 | Key | 1 | 2-62 | 972817 | Cushion, ball | 2 |
| 2-23 | 997343 | Crank shaft ass'y(with ref No.22,24) | 1 | 2-63 | 972814 | Cap, rubber | 1 |
| 2-24 | 972869 | Bearing, needle | 1 | 2-64 | 972818 | Seat, valve B | 1 |
| 2-25 | 972823 | Snap ring, piston pin | 2 | 2-65 | 972812 | Packing A | 1 |
| 2-26 | 990675 | Piston pin | 1 | 2-66 | 972819 | Packing B | 1 |
| 2-27 | 972821 | Piston pin set (with ref No.26) | 1 | 2-67 | 971738 | Pad | 4 |
| 2-28 | 972822 | Ring, piston | 2 | 2-68 | 997341 | Fuel tank ass'y (with ref No.55~57,60~66,75~80) | 1 |
| 2-29 | 972825 | Pocking, cylinder | 1 | 2-69 | 976743 | Screw | 1 |
| 2-30 | 972881 | Stud bolt | 2 | 2-70 | 997342 | Hanger, tank | 1 |
| 2-31 | 977301 | Bolt | 4 | 2-71 | 912606 | Screw | 1 |
| 2-32 | 996355 | Cylinder (with ref No.30) | 1 | 2-72 | 991101 | Band, tank | 1 |
| 2-33 | 997333 | Cover, cylinder | 1 | 2-73 | 972883 | Bar, band support | 1 |
| 2-34 | 971797 | Clamp | 1 | 2-74 | 979339 | Nut | 1 |
| 2-35 | 971821 | Screw | 1 | 2-75 | 977314 | Fuel tank cap ass'y(with ref No.76~80) | 1 |
| 2-36 | 997334 | Gasket, muffler | 1 | 2-76 | 977317 | Cap, fuel tank | 1 |
| 2-37 | 997335 | Muffler | 1 | 2-77 | 977316 | Valve, combination | 1 |
| 2-38 | 991103 | Nut, flange | 2 | 2-78 | 977318 | Holder, valve | 1 |
| 2-39 | 997336 | Cover, muffler | 1 | 2-79 | 977535 | Sponge | 1 |
| 2-40 | 971820 | Screw | 2 | 2-80 | 977315 | Packing | 1 |

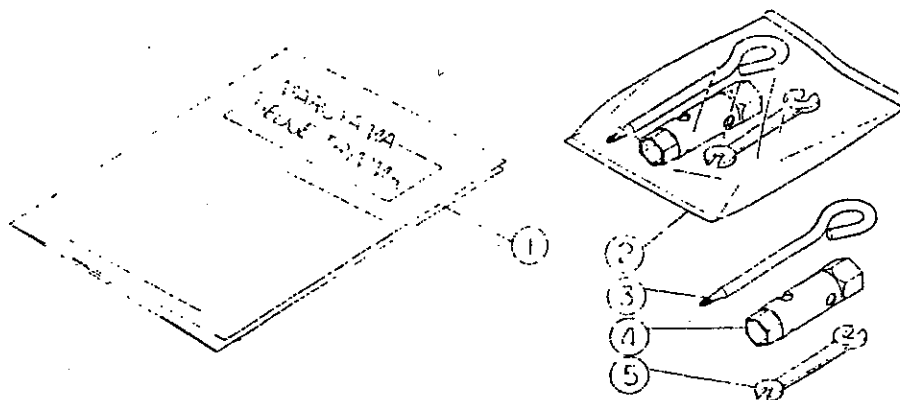
PARTS LIST

MODEL HT241

3. ENGINE (CARBURETOR, RECOIL STARTER)



4. ACCESSORIES



MARUYAMA U.S., INC.

| Ref.No. | Parts No. | Parts Name | Qty | Ref.No. | Parts No. | Parts Name | Qty |
|---------|-----------|--|-----|---------|-----------|--|-----|
| 3-1 | 997319 | Packing, intake | 1 | 3-41 | 997328 | Wire, throttle | 1 |
| 3-2 | 977308 | Flange, intake | 1 | 3-42 | 997360 | Recoil starter ass'y (with ref No.44~50,52~56) | 1 |
| 3-3 | 972836 | Packing, carburetor | 1 | 3-43 | 996229 | Screw | 4 |
| 3-4 | 977305 | Screw | 2 | 3-44 | 993293 | Plate, friction | 1 |
| 3-5 | 997320 | Spacer | 1 | 3-45 | 972834 | Spring, return | 1 |
| 3-6 | 997321 | Packing, carburetor | 1 | 3-46 | 997314 | Ratchet | 1 |
| 3-7 | 990688 | Screw | 2 | 3-47 | 972831 | Spring, friction | 1 |
| 3-8 | 997322 | Screw | 2 | 3-48 | 972830 | Reel ass'y | 1 |
| 3-9 | 997323 | Carburetor ass'y (with ref No.14~14,16~32) | 1 | 3-49 | 972829 | Spring, spiral | 1 |
| 3-10 | 977568 | Cap, rubber | 1 | 3-50 | 997329 | Case, starter | 1 |
| 3-11 | 977566 | Cap, mixing chamber | 1 | 3-51 | 976742 | Screw | 2 |
| 3-12 | 972853 | Spring, throttle | 1 | 3-52 | 997313 | Pulley, starter | 1 |
| 3-13 | 972850 | Retainer, spring | 1 | 3-53 | 977441 | Screw | 1 |
| 3-14 | 991094 | Jet needle ass'y | 1 | 3-54 | 972833 | Knob, starter | 1 |
| 3-15 | 997324 | Collar | 1 | 3-55 | 972832 | Rope, starter | 1 |
| 3-16 | 991095 | Valve, throttle | 1 | 3-56 | 997312 | Guide, rope | 1 |
| 3-17 | 991097 | Spring, throttle adjusting screw | 1 | | | | |
| 3-18 | 991096 | Screw, throttle adjusting | 1 | | | | |
| 3-19 | 972867 | Main jet needle ass'y | 1 | | | | |
| 3-20 | 972859 | Spring, inlet valve | 1 | | | | |
| 3-21 | 977533 | Packing, main diaphragm | 1 | 4-1 | | Instruction manual | 1 |
| 3-22 | 972865 | Gasket, pump cover | 1 | 4-2 | 997318 | Tool set (with ref No.3~5) | 1 |
| 3-23 | 972864 | Diaphragm, pump | 1 | 4-3 | 061961 | Driver, screw | 1 |
| 3-24 | 997359 | Pump cover ass'y | 1 | 4-4 | 972898 | Wrench, socket (19×21) | 1 |
| 3-25 | 972887 | Screw | 4 | 4-5 | 977436 | Spanner (8×12) | 1 |
| 3-26 | 972858 | Valve, float | 1 | | | | |
| 3-27 | 972857 | Arm, float | 1 | | | | |
| 3-28 | 972856 | Pin, float | 1 | | | | |
| 3-29 | 972860 | Screw, float pin set | 1 | | | | |
| 3-30 | 972861 | Main diaphragm ass'y | 1 | | | | |
| 3-31 | 972866 | Main diaphragm cover ass'y | 1 | | | | |
| 3-32 | 971814 | Screw | 4 | | | | |
| 3-33 | 997325 | Air cleaner ass'y (with ref No.35~39) | 1 | | | | |
| 3-34 | 990125 | Screw | 2 | | | | |
| 3-35 | 997326 | Cover, air cleaner | 1 | | | | |
| 3-36 | 997309 | Name plate | 1 | | | | |
| 3-37 | 972842 | Net, steel | 1 | | | | |
| 3-38 | 972844 | Element | 1 | | | | |
| 3-39 | 991098 | Holder, element | 1 | | | | |
| 3-40 | 997327 | Lever, throttle | 1 | | | | |