

# PARTS LIST

## H23DF

### CONTENTS

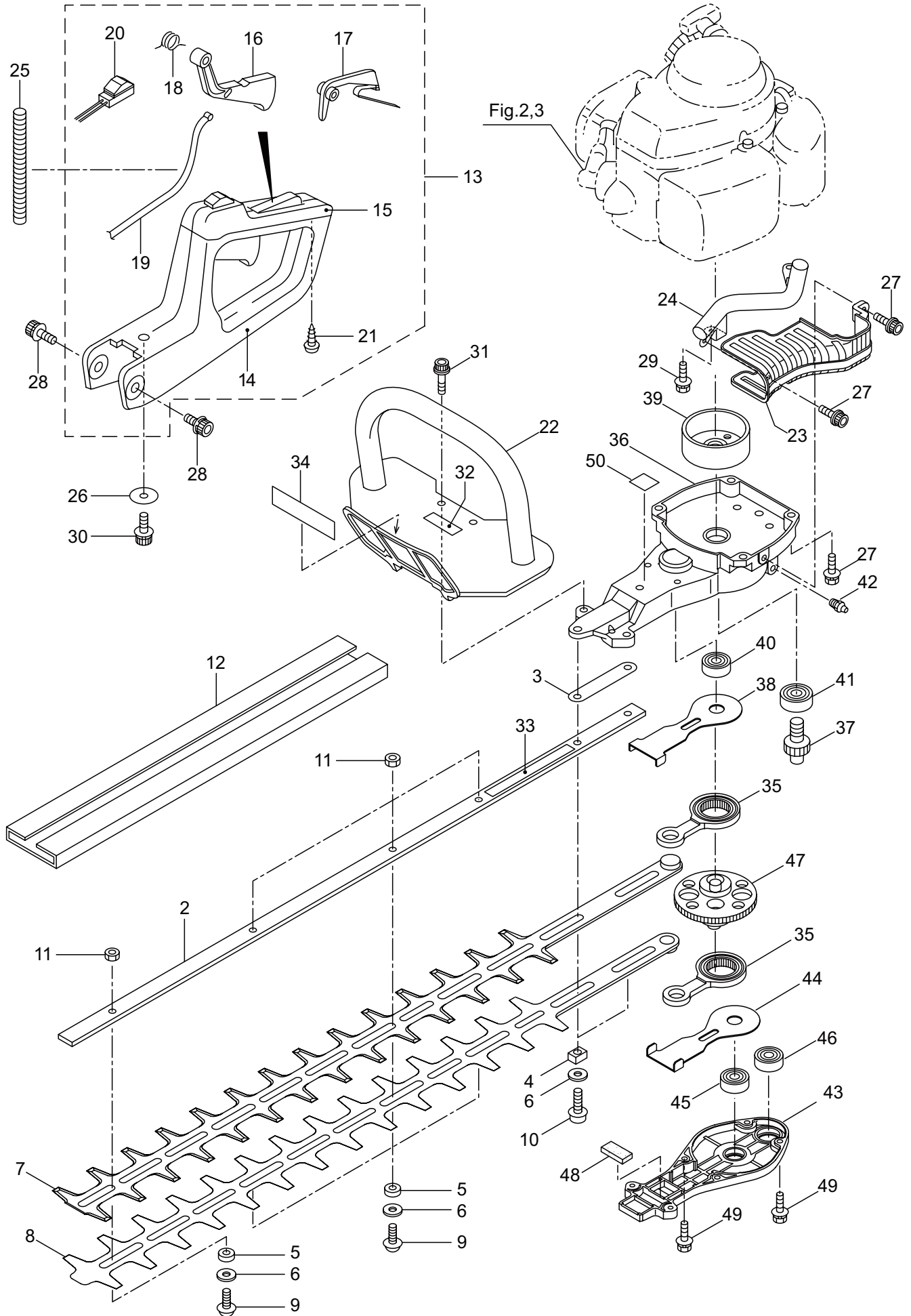
1. MAIN BODY .....	1 ~ 4
2. ENGINE .....	5 ~ 8
3. CARBURETOR, FUEL TANK .....	9 ~ 12
4. ACCESSORIES .....	13 ~ 14

2016. 06.



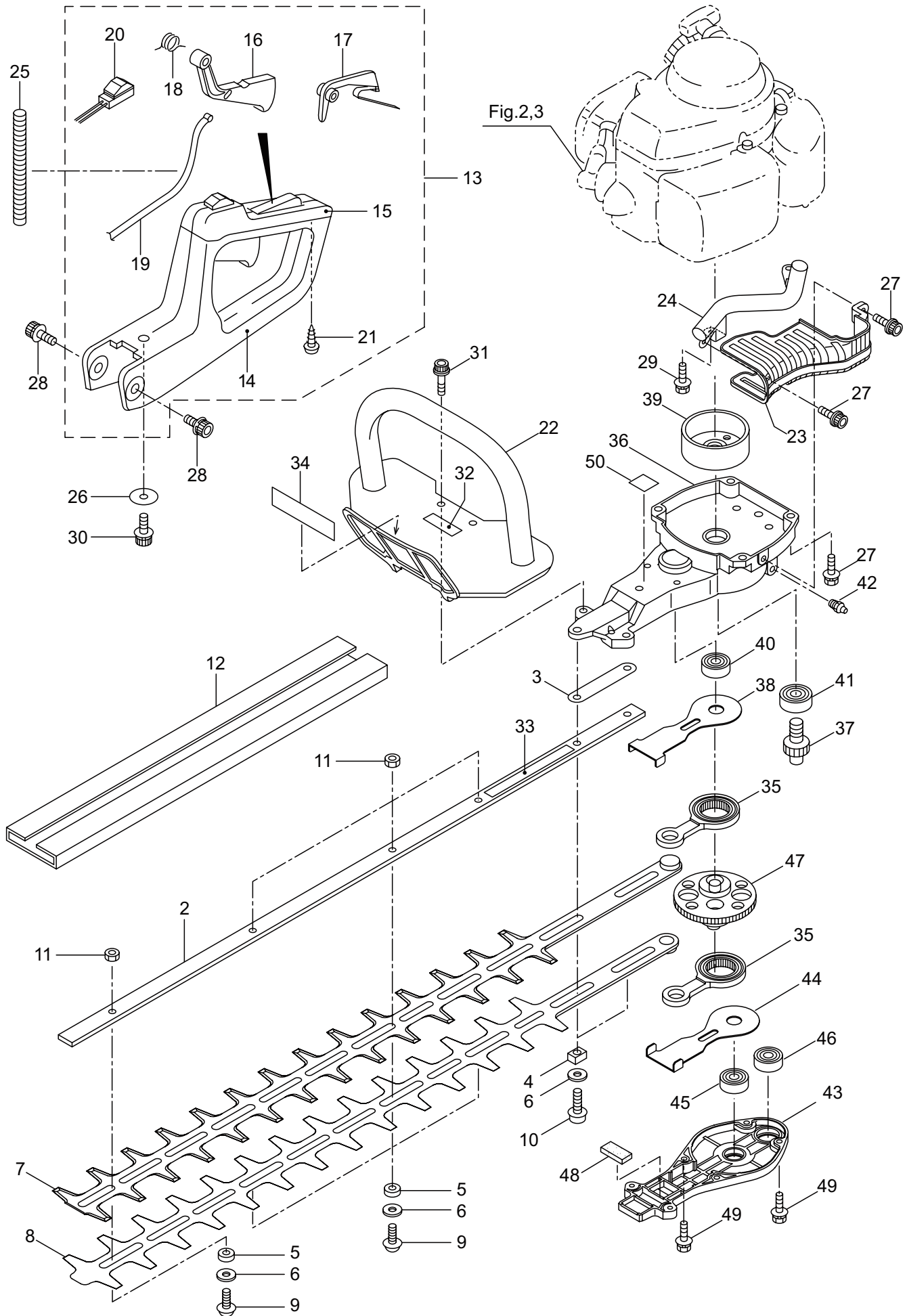
P/N 524330

1. H23DF  
MAIN BODY



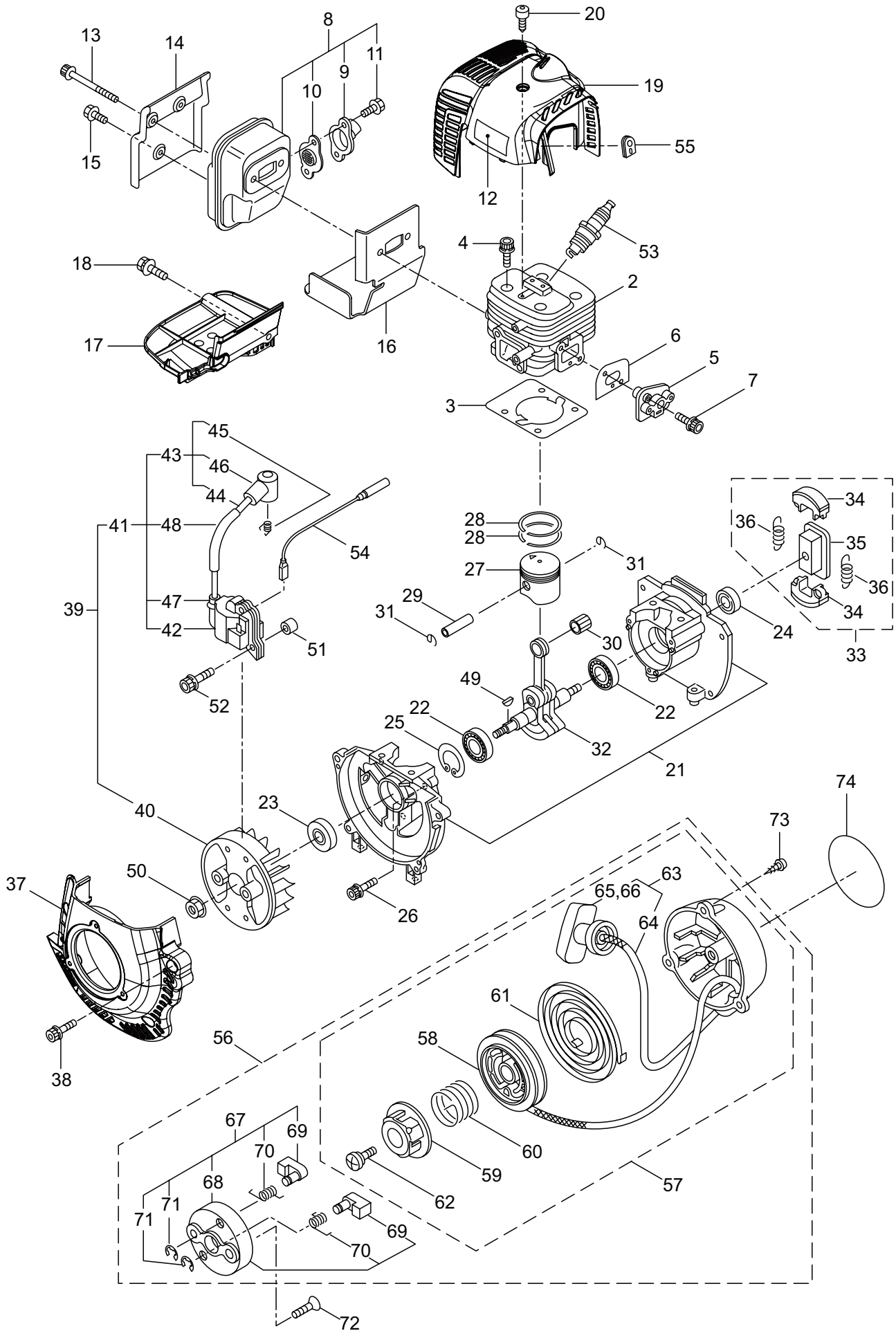
Ref. No.	Part No.	Part Name	Q'ty	Remarks
1-1	362404	H23DF	1	
1-2	277418	Guide Plate	1	
1-3	271888	Spacer Plate	1	
1-4	271889	Spacer	2	
1-5	277421	Spacer	4	
1-6	271890	Washer	6	
1-7	271891	Upper Blade	1	
1-8	271892	Lower Blade	1	
1-9	277530	Screw	4	
1-10	271897	Screw	2	
1-11	271899	Nut	4	
1-12	271901	Cover of Blade	1	
1-13	277397	Rear Handle Ass'y	1	Incl.14-21
1-14	277405	Rear Handle	1	
1-15	277406	Upper Cover	1	
1-16	277407	Throttle Lever	1	
1-17	277408	Stop Lever	1	
1-18	277409	Spring	1	
1-19	277410	Cable Comp	1	
1-20	277411	Switch	1	
1-21	277412	Screw	1	
1-22	271905	Front Handle	1	
1-23	271906	Tail Pipe Cover	1	
1-24	271907	Tail Pipe Comp	1	
1-25	271221	Tube	1	
1-26	270843	Washer	1	25x6xt1.6
1-27	271908	Screw	6	
1-28	271909	Screw	2	
1-29	271910	Screw	1	
1-30	271911	Screw	1	
1-31	271912	Screw	2	
1-32	223925	Label	1	Grease up
1-33	591450	Label	1	
1-34	591449	Label	1	
1-35	271914	Rod Ass'y	2	
1-36	271918	Upper Case	1	
1-37	271919	Pinion	1	
1-38	271920	Plate	1	
1-39	270021	Drum	1	
1-40	271921	Bearing	1	
1-41	580767	Bearing	1	#6001 2RS
1-42	991937	Grease Nipple	1	M6
1-43	271923	Lower Case	1	
1-44	271924	Plate	1	
1-45	270423	Bearing	1	

1. H23DF  
MAIN BODY



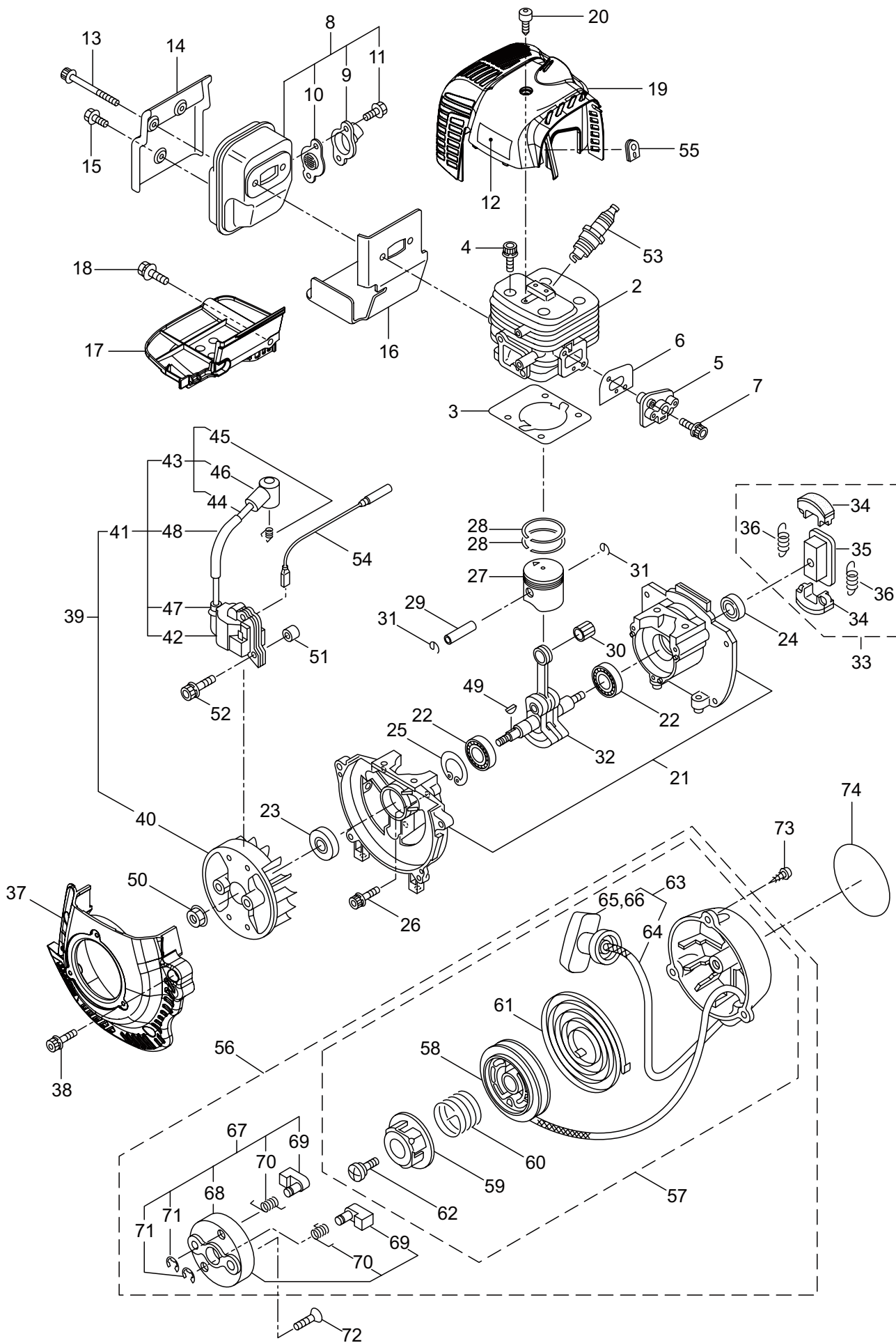
Ref. No.	Part No.	Part Name	Q'ty	Remarks
1-46	271925	Bearing	1	
1-47	271926	Crank Comp	1	
1-48	271927	Felt	1	
1-49	271910	Screw	3	
1-50	266960	Label	1	

## 2. H23DF ENGINE



Ref. No.	Part No.	Part Name	Q'ty	Remarks
2-1	859894	Engine	1	CE230H/04
2-2	288499	Cylinder	1	
2-3	286074	Gasket	1	
2-4	261250	Cap Screw	4	M5x20
2-5	265802	Insulator	1	New gasket required
2-6	267049	Gasket	1	
2-7	265924	Cap Screw	2	M5x25
2-8	277023	Muffler Ass'y	1	Incl.9-11
2-9	288503	Muffler Tail	1	
2-10	288504	Spark Arrestor	1	
2-11	288542	Screw	2	M4x8
2-12	277031	Label	1	H23DF
2-13	266402	Cap Screw	2	M5x55
2-14	275562	Muffler Guard	1	
2-15	288542	Screw	1	M4x8
2-16	275561	Gasket	1	
2-17	275560	Under Cover	1	
2-18	267191	Cap Screw	1	M5x16
2-19	276564	Top Cover Comp	1	
2-20	286399	Knob	1	M5
2-21	288537	Crankcase	1	
2-22	280488	Bearing	2	PPL 6001
2-23	261492	Oil Seal	1	ISCD12287
2-24	261386	Oil Seal	1	ISCD12227
2-25	055185	Snap Ring	1	#28
2-26	261246	Cap Screw	3	M5x25
2-27	283379	Piston	1	
2-28	282177	Piston Ring	2	
2-29	261036	Piston Pin	1	
2-30	263957	Bearing, Needle	1	KTV81112EG01 B2
2-31	261576	Clip,Piston	2	
2-32	288511	Crankshaft/Conn.Rod Ass'y	1	
2-33	280404	Clutch Ass'y	1	Incl.34-36
2-34	280568	Clutch Shoe	2	(2)required
2-35	280569	Clutch Boss	1	
2-36	280570	Spring	2	(2)required
2-37	275557	Fan Cover	1	
2-38	261250	Cap Screw	4	M5x20
2-39	288514	Magneto Ass'y	1	Incl.40-48
2-40	288515	Rotor/Fan	1	
2-41	288516	Ignition Coil Ass'y	1	Incl.42-48
2-42	289483	Coil	1	
2-43	289484	Spark Plug Wire Ass'y	1	Incl.44-46
2-44	289485	Spark Plug Wire	1	
2-45	272805	Connector	1	

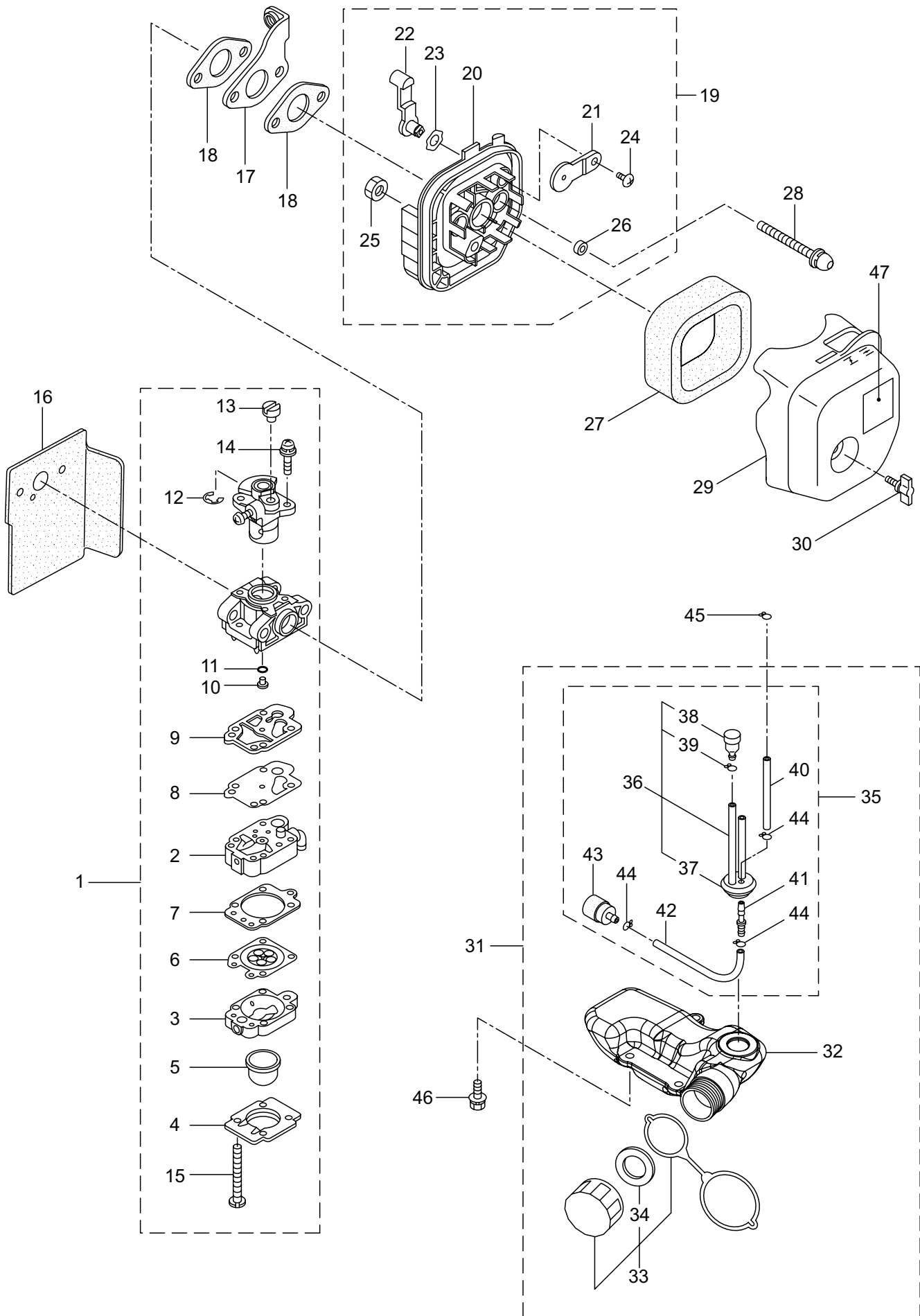
## 2. H23DF ENGINE





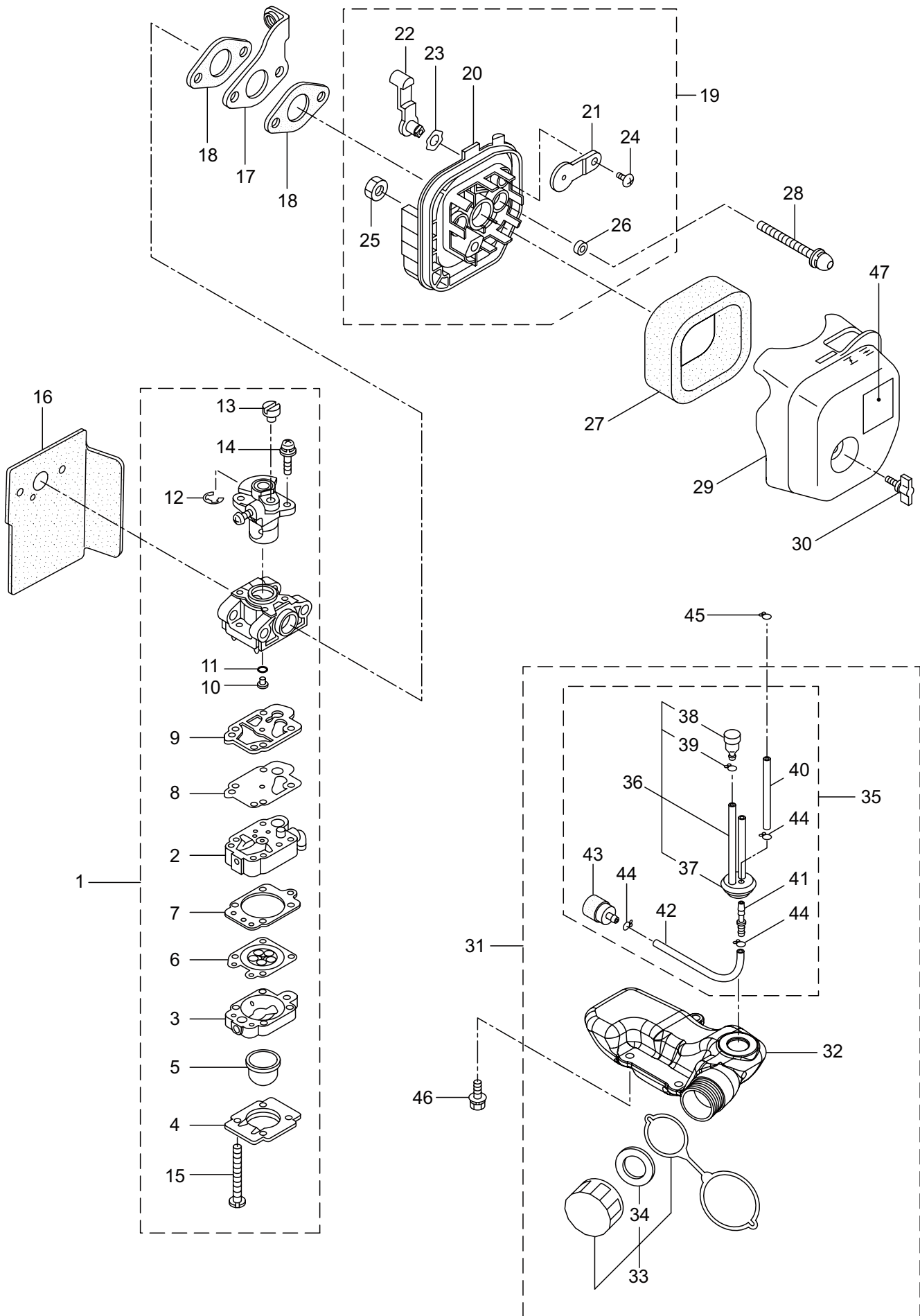
Ref. No.	Part No.	Part Name	Q'ty	Remarks
2-46	283178	Plug Boot	1	
2-47	283271	Cap	1	
2-48	289486	Insulator	1	
2-49	261076	Woodruff Key	1	3x10
2-50	261417	Nut,Rotor	1	M8
2-51	280381	Spacer	2	
2-52	261256	Cap Screw	2	M4x25
2-53	285982	Spark Plug	1	NGK BPM8Y
2-54	261772	Lead	1	
2-55	283140	Grommet	1	
2-56	283171	Recoil Starter Ass'y	1	Incl.57-71
2-57	283172	Starter Ass'y	1	Incl.58-66
2-58	286363	Reel	1	
2-59	286364	Cam Plate	1	
2-60	283290	Spring	1	
2-61	280931	Spiral Spring	1	
2-62	267213	Screw	1	
2-63	283291	Rope Ass'y	1	Incl.64-66
2-64	283292	Starter Rope	1	
2-65	261725	Starter Grip	1	
2-66	283293	Rope Stopper	1	
2-67	283173	Starter Pulley Ass'y	1	Incl.68-71
2-68	283294	Starter Pulley	1	
2-69	280936	Ratchet	2	
2-70	283295	Spring	2	
2-71	020299	E-Ring	2	#4
2-72	264535	Screw	2	M6x20
2-73	280144	Tapping Screw	3	
2-74	277030	Label	1	H23DF

3. H23DF  
 CARBURETOR, FUEL TANK



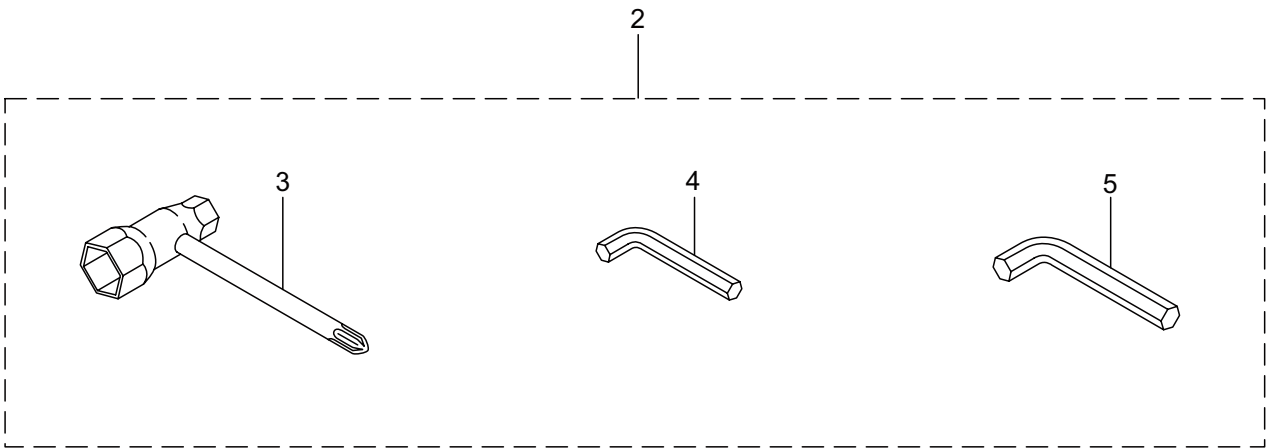
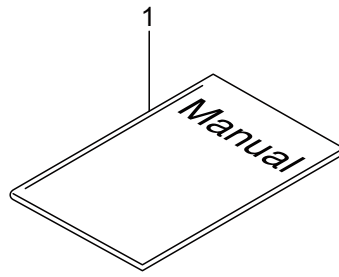
Ref. No.	Part No.	Part Name	Q'ty	Remarks
3-1	277126	Carburetor Ass'y	1	Incl.2-15
3-2	268499	Pump Body	1	
3-3	262991	Purge Body	1	
3-4	262992	Cover Plate	1	
3-5	261874	Primer Bulb	1	
3-6	283905	Diaphragm, Meterring	1	
3-7	262993	Gasket	1	
3-8	262994	Diaphragm,Fuel Pump	1	
3-9	282576	Gasket	1	
3-10	289396	Main Jet	1	
3-11	261871	O-Ring	1	
3-12	261876	E-Ring	1	
3-13	261658	Swivel	1	
3-14	264682	Screw	2	
3-15	262996	Screw	4	
3-16	288517	Gasket	1	
3-17	283773	Stay	1	
3-18	283771	Gasket	2	
3-19	289048	Case Ass'y	1	Incl.20-26
3-20	269050	Case Body	1	
3-21	289019	Valve	1	
3-22	284803	Lever	1	
3-23	284816	Washer	1	6.4x11x0.15
3-24	269032	Screw	1	
3-25	126993	Nut	1	M5
3-26	269051	Sleeve	2	
3-27	277320	Element	1	
3-28	262720	Cap Screw	2	M5x55
3-29	283772	Cleaner Cover	1	
3-30	281438	Knob	1	
3-31	277028	Fuel Tank Ass'y	1	Incl.32-44
3-32	275618	Fuel Tank	1	
3-33	289046	Tank Cap Ass'y	1	Incl.34
3-34	287058	Gasket	1	
3-35	289279	Fuel Pipe Pick-up Ass'y	1	Incl.36-44
3-36	289280	Fuel Pipe Ass'y	1	Incl.37-39
3-37	268065	Grommet	1	
3-38	289451	Breather	1	
3-39	261117	Clip	1	
3-40	289028	Pipe A	1	3x5x53L
3-41	288921	Joint	1	
3-42	289029	Pipe	1	3x5x125L
3-43	264653	Filter Ass'y	1	
3-44	261117	Clip	3	
3-45	261117	Clip	1	

3. H23DF  
 CARBURETOR, FUEL TANK



Ref. No.	Part No.	Part Name	Q'ty	Remarks
3-46	269690	Cap Screw	4	M5x18
3-47	285188	Label	1	

4. H23DF  
ACCESSORIES



Ref. No.	Part No.	Part Name	Q'ty	Remarks
4-1	277076	Instruction Manual	1	
4-2	264606	Tool Set	1	Incl.3-5
4-3	264607	Box Spanner	1	10x19x(+)
4-4	219431	Wrench	1	3mm
4-5	219432	Wrench	1	4mm