



MARUYAMA U.S., INC.

301 – 30th Street NE, Suite 118, Auburn, WA 98002

PO Box 309, Auburn, WA 98071-0309

Phone (253) 735-7368 Fax (253) 735-1416

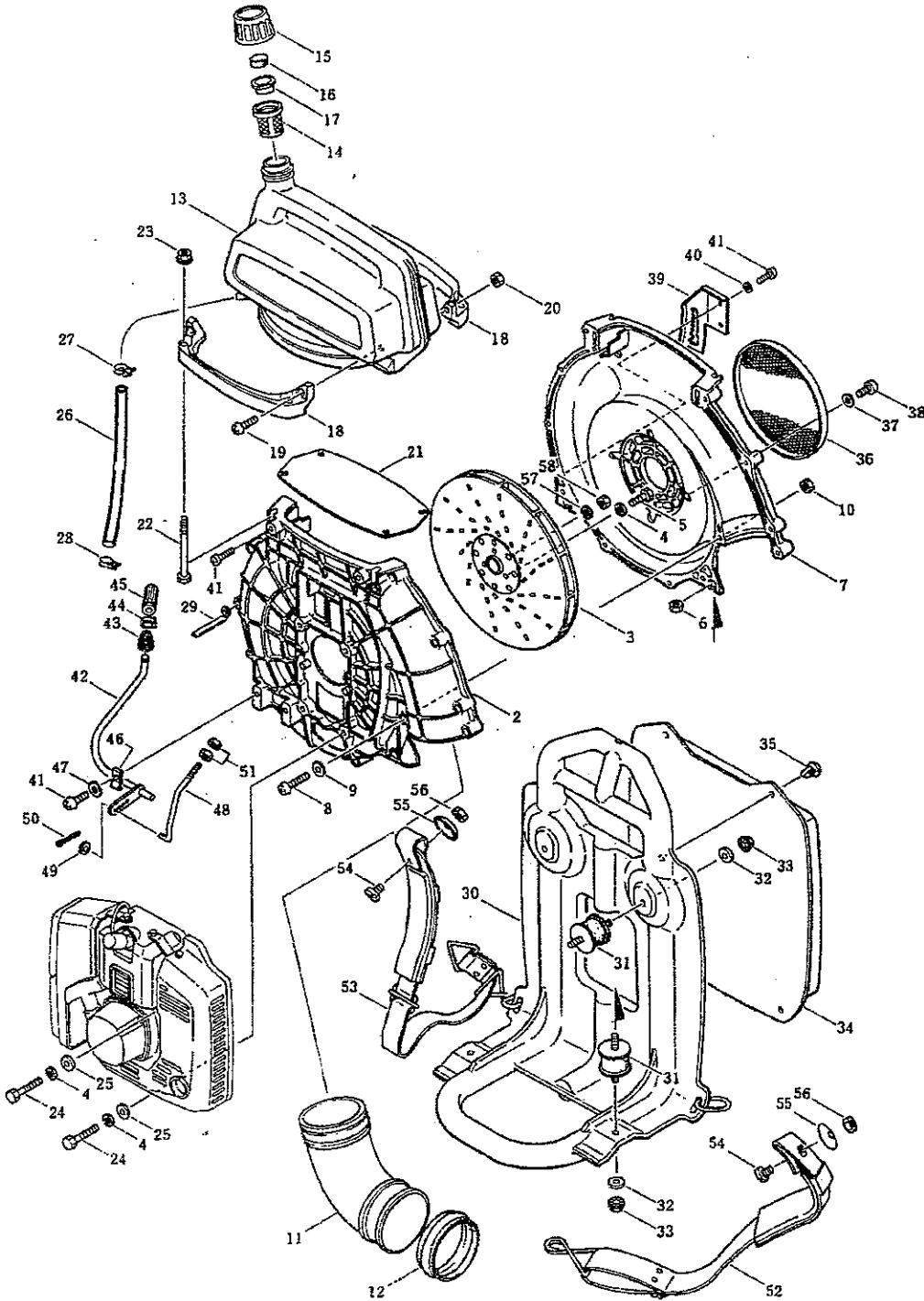
**PARTS LIST
MODEL BL410**

January 1, 1987

PARTS LIST

MODEL BL410

1. MAIN BODY



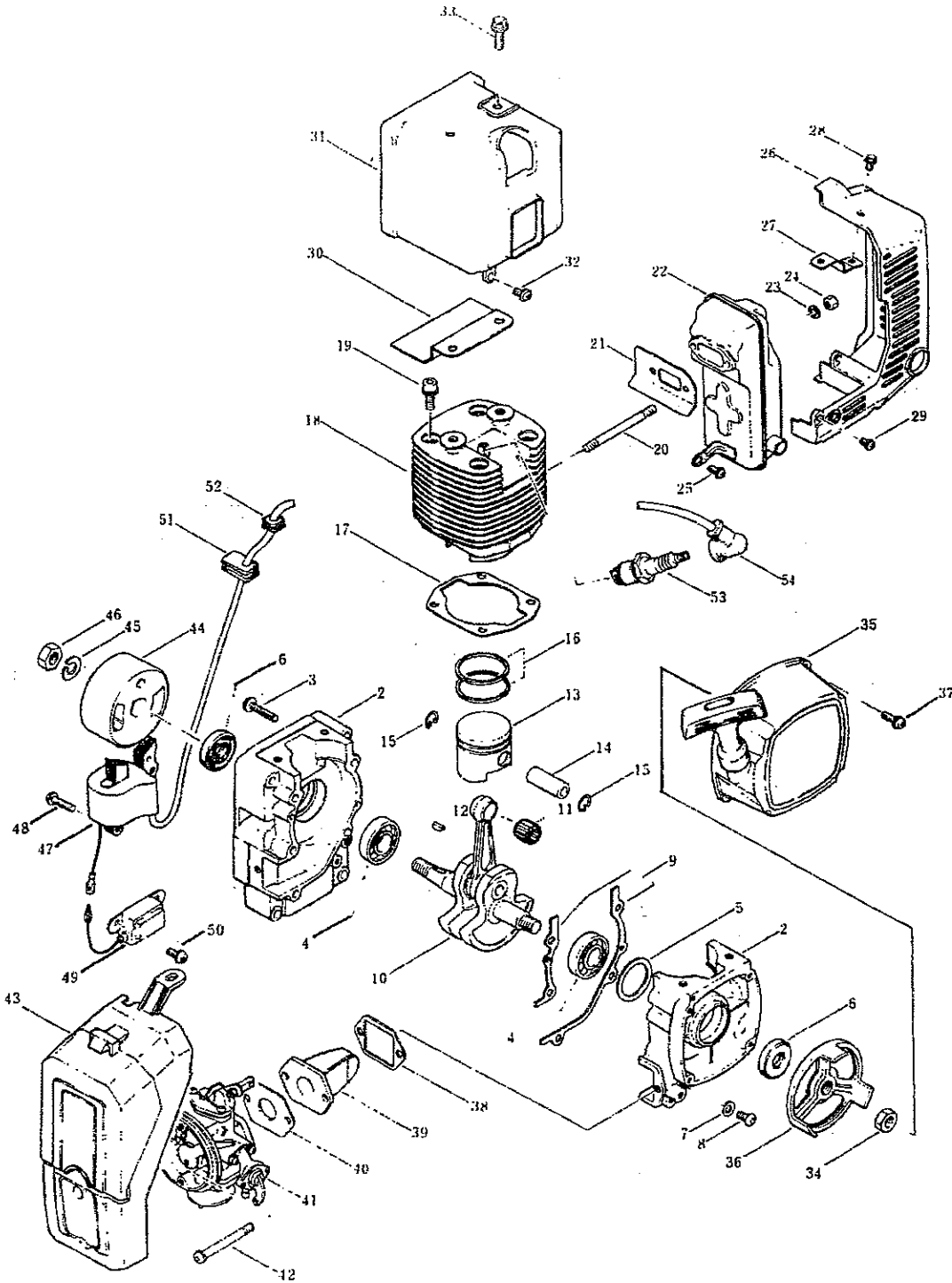
MARUYAMA U.S., INC.

Ref.No.	Parts No.	Parts Name	Q'ty	Ref.No.	Parts No.	Parts Name	Q'ty
1-1	395634	BL410	1	1-41	081426	Screw (M5X15)	8
1-2	101821	Fan case (E)	1	1-42	105929	Throttle lever	1
1-3	100809	Fan	1	1-43	100726	Cap	1
1-4	012502	Spring washer (M6)	7	1-44	105767	Snap	1
1-5	082098	Bolt (M6X16)	3	1-45	105766	Knob	1
1-6	100234	Nut (M6)	2	1-46	101309	Throttle lever bracket	2
1-7	101822	Fan case (S)	1	1-47	012487	Washer (M5)	2
1-8	081419	Screw (M5X35)	13	1-48	100815	Throttle rod	1
1-9	101171	Washer ($\phi 4.7 \times \phi 9.8 \times t 0.8$)	13	1-49	012486	Washer (M4)	1
1-10	081028	Nut (M5X0.8)	13	1-50	013013	Split pin ($\phi 1.6 \times 10L$)	1
1-11	105660	Pipe	1	1-51	029795	Nut (M4)	2
1-12	100808	Rubber bracket	1	1-52	101613	Knapsack band	1
1-13	107560	Fuel tank	1	1-53	101616	Knapsack band	1
1-14	022371	Fuel strainer	1	1-54	020654	Bolt (M6X14)	2
1-15	028391	Cap	1	1-55	100603	Washer ($\phi 6 \times \phi 23 \times t 1.6$)	2
1-16	022375	. Inner packing	1	1-56	081030	Nut (M6)	2
1-17	022374	. Inner cap	1	1-57	970923	Spring washer	1
1-18	107562	Bracket	2	1-58	978748	Nut	1
1-19	081457	Screw (M6X25)	2				
1-20	081031	Nut (M6)	2				
1-21	101093	Packing	1				
1-22	082120	Bolt (M6X40X26)	4				
1-23	104797	Nut (M6)	4				
1-24	082143	Bolt (M6X50)	4				
1-25	012488	Washer (M6)	4				
1-26	101815	Vinyl hose ($\phi 8 \times \phi 12 \times 450L$)	1				
1-27	043832	Hose band	1				
1-28	103067	Hose band	1				
1-29	101176	Clip	1				
1-30	101684	Support frame	1				
1-31	026223	Buffer	4				
1-32	019056	Washer ($\phi 6.5 \times \phi 18 \times t 1$)	4				
1-33	100420	Nut (M6)	4				
1-34	101683	Cushion pad	1				
1-35	100749	Fastener (#7)	4				
1-36	103084	Screen	1				
1-37	022905	Washer (M5)	4				
1-38	081413	Screw (M5X12)	4				
1-39	105761	Dial plate	1				
1-40	012501	Spring washer (M5)	2				

PARTS LIST

MODEL BL410

2. ENGINE (CRANKCASE, CYLINDER)



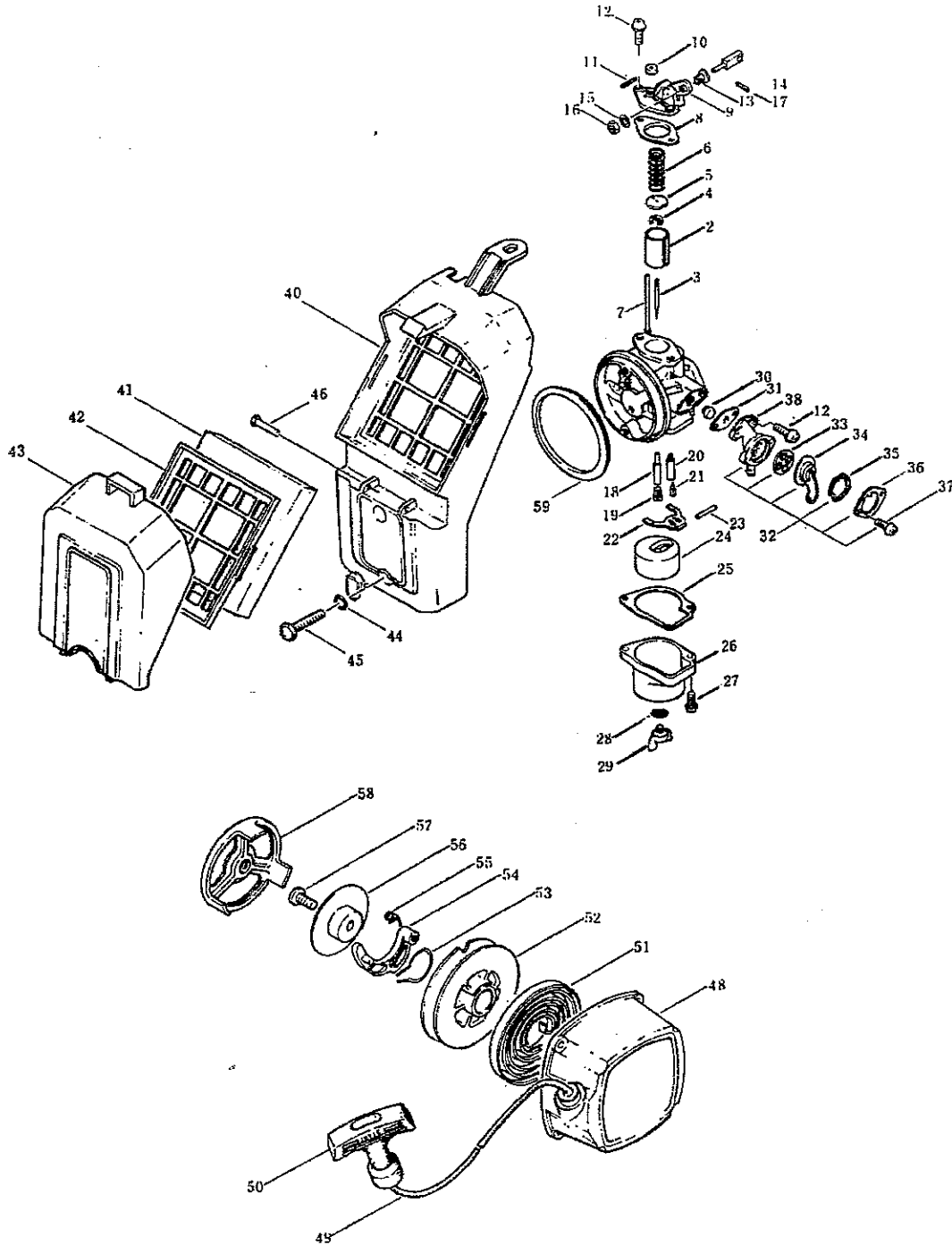
MARUYAMA U.S., INC.

Ref. No.	Parts No.	Parts Name	Q'ty	Ref. No.	Parts No.	Parts Name	Q'ty
2-1	101240	Engine (T280P)	1	2-40	978763	Carburetor packing	1
2-2	978750	Crankcase, ass'y	1	2-41	991130	Carburetor, ass'y	1
2-3	978831	Screw	5	2-42	978832	Screw	2
2-4	974023	Bearing (#6202)	2	2-43	991140	Air cleaner, ass'y	1
2-5	978774	Shim (t=0.05)	1	2-44	978756	Flywheel	1
2-5	978775	Shim (t=0.1)	1	2-45	970923	Spring washer	1
2-6	978760	Oil seal (TC15 30 7)	2	2-46	978748	Nut	1
2-7	947211	Packing	1	2-47	978757	Ignition coil	1
2-8	978830	Screw	1	2-48	971818	Screw	2
2-9	978828	Case packing	1	2-49	991100	Unit	1
2-10	978773	Crankshaft, ass'y	1	2-50	970899	Screw	2
2-11	978772	. Needle bearing	1	2-51	978759	Dust seal bushing	1
2-12	978745	. Key	1	2-52	972870	Dust seal bushing	1
2-13	978755	Piston pin set	1	2-53	978764	Spark plug (B7S)	1
2-14	978751	. Piston pin	1	2-54	977306	Spark plug cap	1
2-15	978752	Snap ring	2				
2-16	978753	Piston ring	2				
2-17	978768	Cylinder packing	1				
2-18	978754	Cylinder	1				
2-19	978836	Bolt	4				
2-20	978776	Stud bolt	2				
2-21	978749	Muffler gasket	1				
2-22	978770	Muffler	1				
2-23	947578	Spring washer	2				
2-24	947539	Nut	2				
2-25	978835	Screw	1				
2-26	978767	Muffler cover	1				
2-27	978771	Muffler cover bracket	1				
2-28	947757	Bolt	1				
2-29	971821	Screw	2				
2-30	978766	Exhaust cover	1				
2-31	978765	Cylinder cover	1				
2-32	978833	Screw	1				
2-33	978744	Bolt	2				
2-34	978747	Nut	1				
2-35	978761	Recoil starter, ass'y	1				
2-36	978746	. Starter pulley	1				
2-37	972888	Screw	4				
2-38	978762	Reed valve packing	1				
2-39	978769	Reed valve, ass'y	1				

PARTS LIST

MODEL BL410

3. ENGINE (CARBURETOR, RECOIL STARTER)



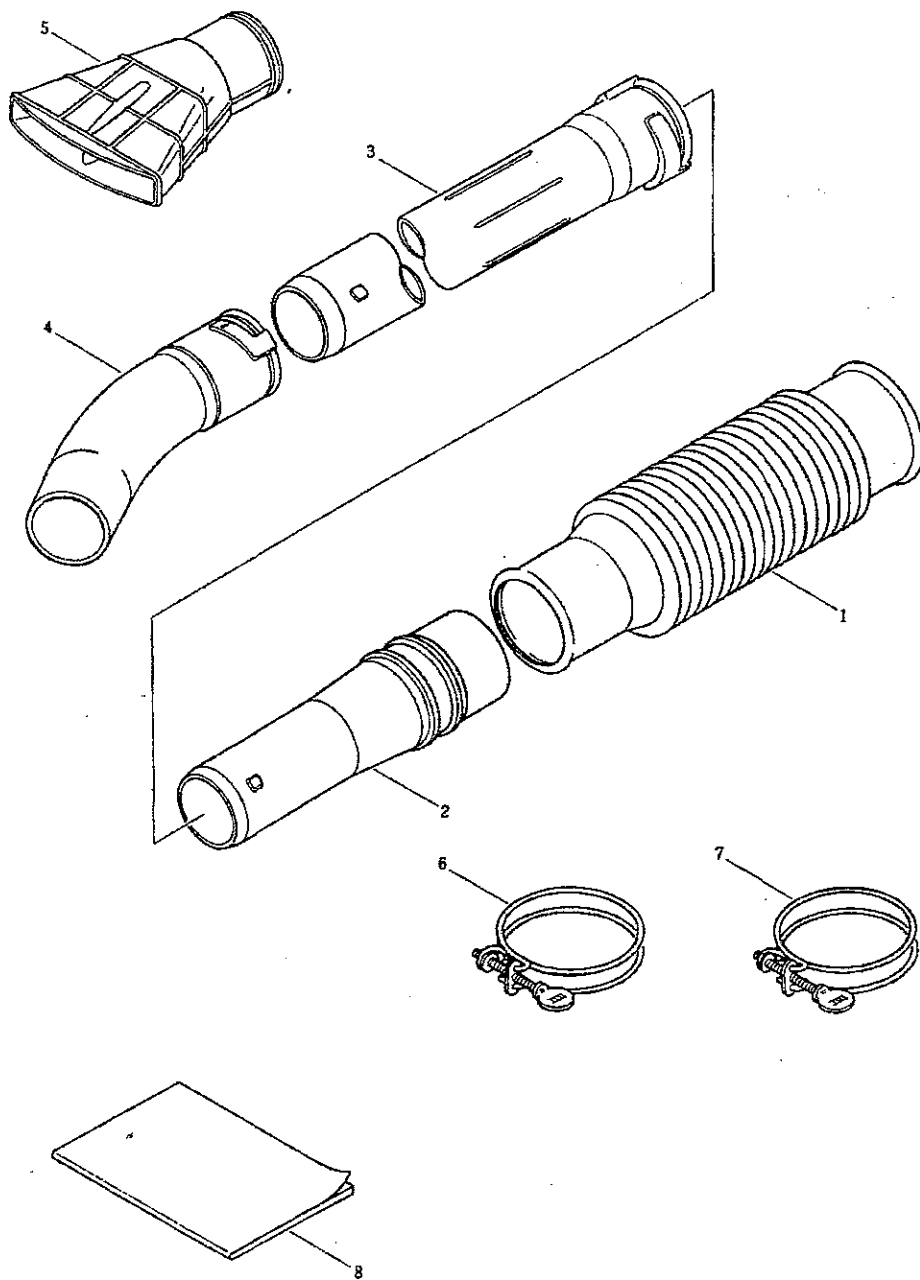
MARUYAMA U.S., INC.

Ref.No.	Parts No.	Parts Name	Q'ty	Ref.No.	Parts No.	Parts Name	Q'ty
3-1	991130	Carburetor, ass'y	1	3-41	991143	. Element	1
3-2	991132	. Piston valve	1	3-42	991144	. Element grid	1
3-3	991134	. Jet needle	1	3-43	991145	. Cap	1
3-4	978800	. E-ring	1	3-44	978829	O-ring	2
3-5	978799	. Plate	1	3-45	978834	Screw	2
3-6	978798	. Spring	1	3-46	991141	Rivet	2
3-7	978797	. Rod	1	3-47	978761	Recoil starter, ass'y	1
3-8	978805	. Gasket	1	3-48	978821	. Starter case	1
3-9	978816	. Cover, ass'y	1	3-49	978826	. Starter rope	1
3-10	978795	. Ring	1	3-50	978827	. Starter knob	1
3-11	978796	. Split pin	1	3-51	978824	. Spiral spring	1
3-12	978811	. Screw	4	3-52	978822	. Reel	1
3-13	978815	. Guide holder	1	3-53	972831	. Friction spring	1
3-14	978818	. Pin	1	3-54	978823	. Ratchet	1
3-15	978814	. Washer	1	3-55	972834	. Return spring	1
3-16	978813	. Nut	1	3-56	978825	. Friction plate	1
3-17	978817	. Split pin	1	3-57	977441	. Screw	1
3-18	991136	. Needle jet	1	3-58	978746	. Starter pulley	1
3-19	991138	. Main jet	1	3-59	978819	Packing	1
3-20	978792	. Pilot jet	1				
3-21	991139	. Needle, ass'y	1				
3-22	978789	. Float arm	1				
3-23	978790	. Float pin	1				
3-24	978785	. Float	1				
3-25	978791	. Gasket	1				
3-26	978784	. Float chamber body	1				
3-27	978820	. Screw	2				
3-28	978787	. O-ring	1				
3-29	978786	. Guide screw	1				
3-30	978806	. Filter	1				
3-31	978807	. Packing	1				
3-32	092654	. Fuel cock, ass'y	1				
3-33	978809	. Gasket	1				
3-34	978804	. Lever	1				
3-35	978810	. Spring seat	1				
3-36	978808	. Plate	1				
3-37	978812	. Screw	2				
3-38	978803	. Cock body	1				
3-39	991140	Air cleaner, ass'y	1				
3-40	991142	. Air cleaner case	1				

PARTS LIST

MODEL BL410

4. ACCESSORIES



MARUYAMA U.S., INC.

Ref.No.	Parts No.	Parts Name	Q'ty	Ref.No.	Parts No.	Parts Name	Q'ty
4-1	105668	Flexible pipe	1				
4-2	106721	Swivel pipe	1				
4-3	106723	Straight pipe (500L)	2				
4-4	106725	Bend pipe	1				
4-5	106726	Sector blow head	1				
4-6	100823	Wire clamp (#92)	1				
4-7	100753	Wire clamp (#78)	1				
4-8	107566	Instruction manual	1				



Maruyama U.S., Inc.
3570 Shelby Lane
Denton, TX 76207
940-383-7400 voice
940-383-7466 fax

www.maruyama-us.com