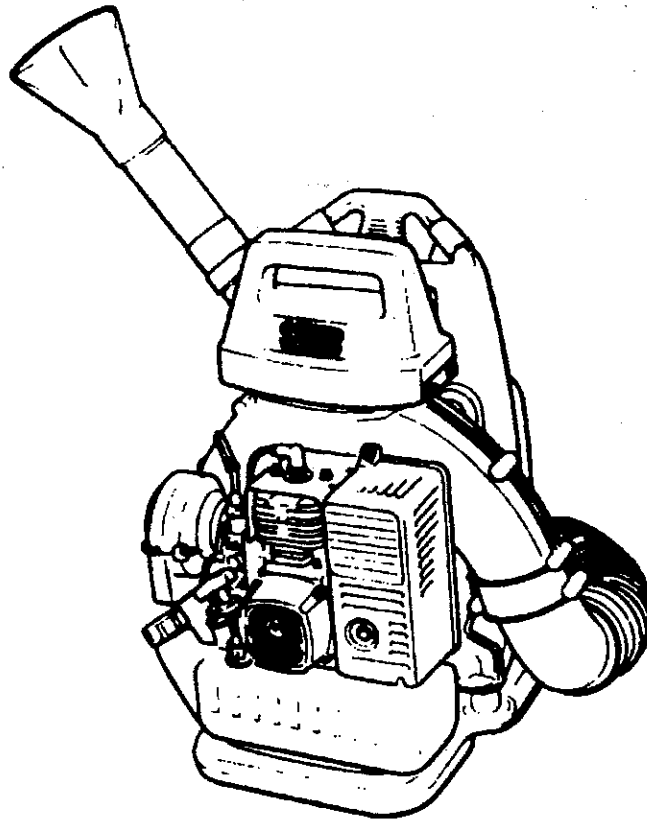




*Manufacturing quality equipment since 1895.*

# ILLUSTRATED PARTS LIST

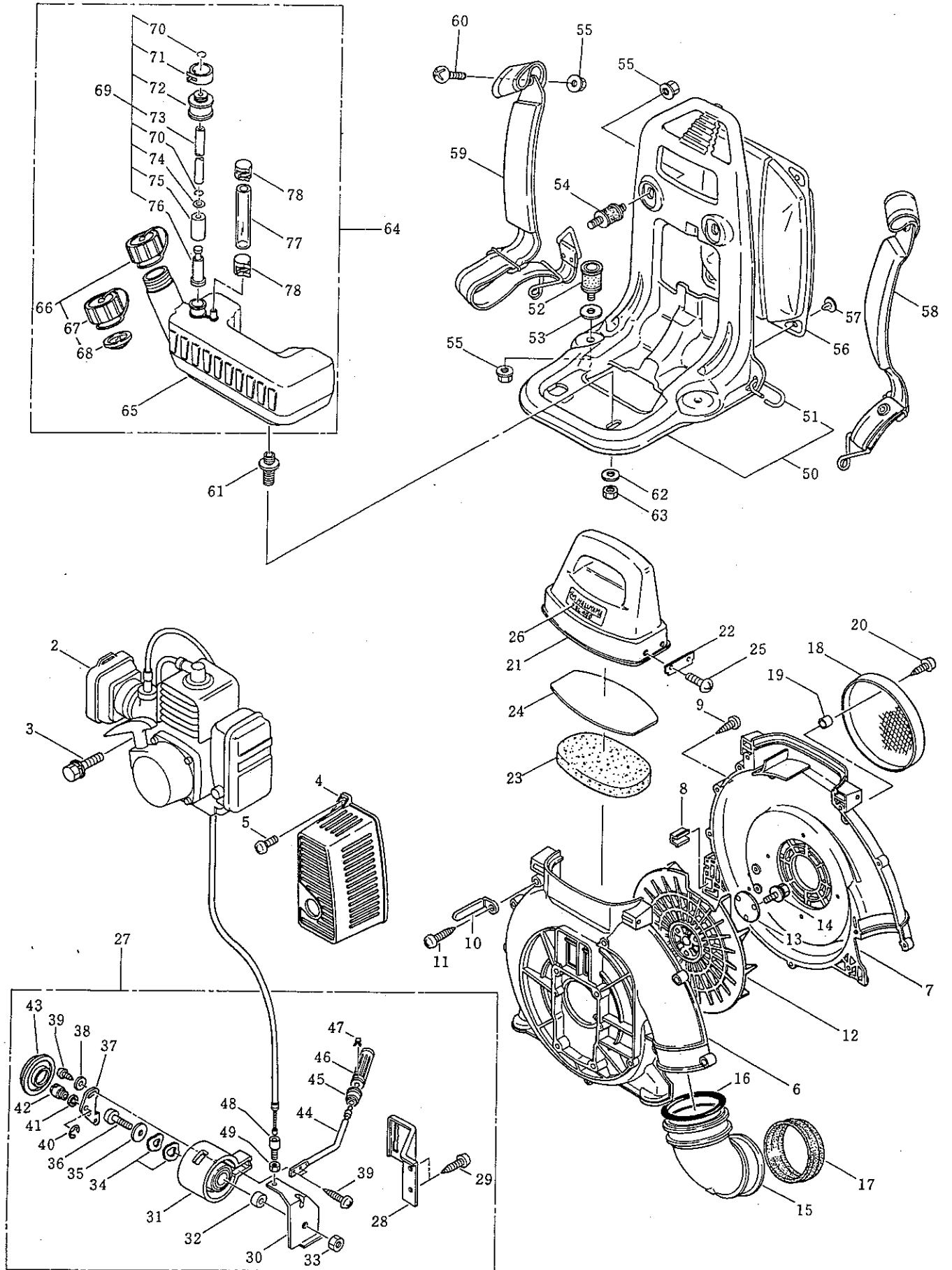
Model BL400



BL400

Backpack Power Blower

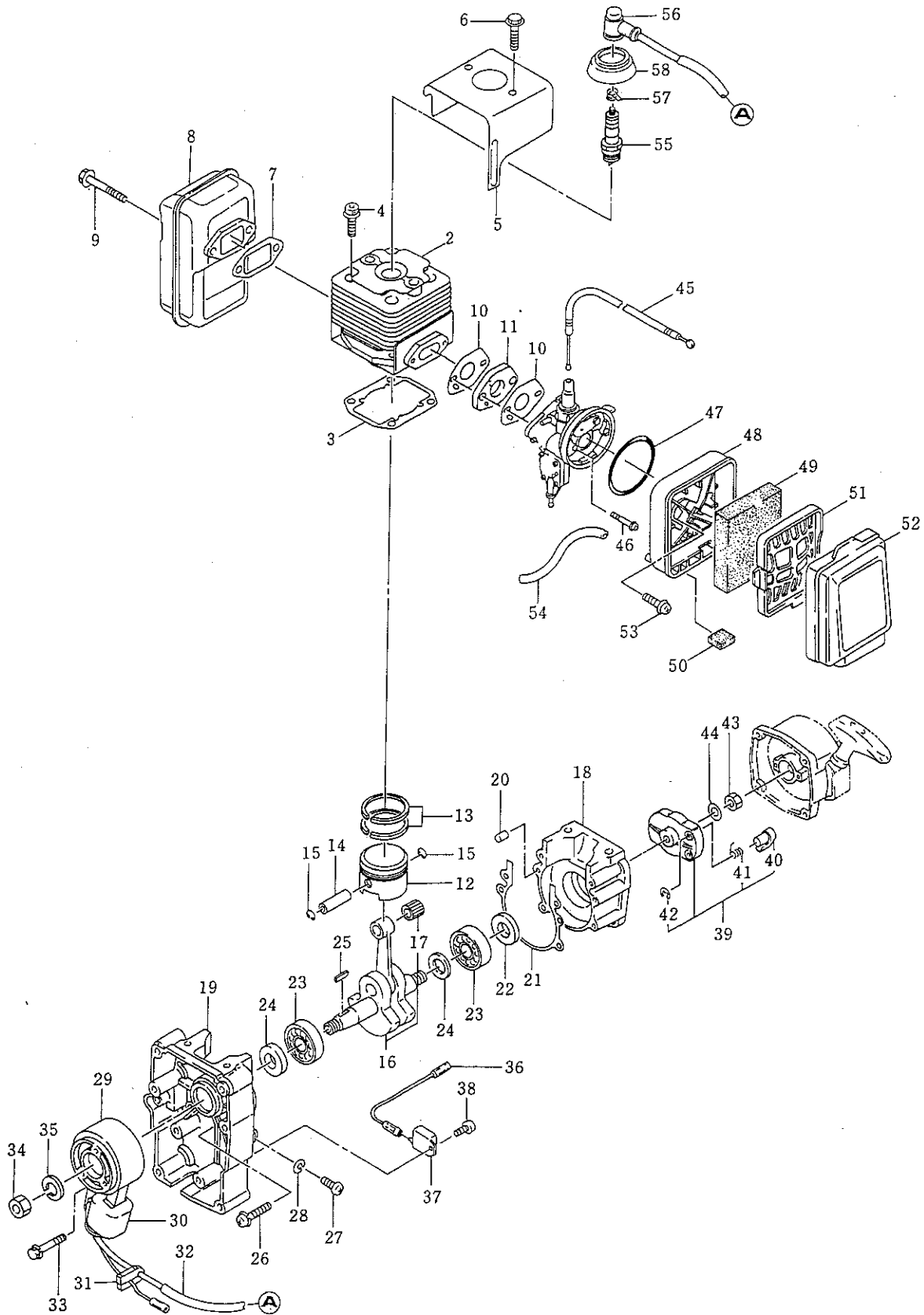
# 1. FRAME & BLOWER



Ref. No.	Part No.	Part Name	Q'ty	Remarks
1-1	395658	BL400	1	
1-2	114285	Engine	1	TE40
1-3	092512	Bolt	4	M6 × 45
1-4	116312	Muffler Cover	1	
1-5	092018	Screw	2	M5 × 15
1-6	116313	Fan Case(Engine side)	1	
1-7	116314	Fan Case(Frame side)	1	
1-8	110865	Bracket	1	
1-9	089578	Tapping Screw	11	M5 × 28
1-10	103550	Clamp	1	
1-11	082697	Tapping Screw	1	M5 × 10
1-12	110736	Fan	1	
1-13	105792	Plate	1	
1-14	092544	Bolt	3	M6 × 30
1-15	105660	Pipe	1	
1-16	011367	O - Ring	1	V70
1-17	100808	Rubber Joint	1	
1-18	103084	Cover	1	
1-19	107661	Spacer	4	
1-20	086063	Tapping Screw	4	M5 × 20
1-21	113816	Handle	1	
1-22	113818	Plate	2	
1-23	116325	Packing, Lower	1	
1-24	113910	Packing, Upper	1	
1-25	089826	Tapping Screw	4	M6 × 15
1-26	116315	Label	1	BL400
1-27	113398	Throttle Ass'y	1	Includes 28~49
1-28	113082	•Bracket	1	
1-29	086062	•Tapping Screw	4	M5 × 14
1-30	113083	•Bracket	1	
1-31	112009	•Throttle Lever Adapter	1	
1-32	112886	•Collar	1	φ 8.1 × φ 16 × 9.5L
1-33	081040	•Nut	1	M8
1-34	111156	•Washer	2	WW - 16
1-35	141646	•Washer	1	φ 8.5 × φ 25 × t2.3
1-36	081498	•Screw	1	M8 × 35
1-37	113354	•Plate	1	
1-38	088067	•Spring Washer	2	
1-39	082690	•Tapping Screw	4	M4 × 14
1-40	020299	•E - Ring	1	#4
1-41	012488	•Washer	1	M6
1-42	112888	•Wire Guide	1	
1-43	110730	•Cap	1	
1-44	112017	•Throttle Lever	1	
1-45	100726	•Cap	1	
1-46	105766	•Knob	1	
1-47	105767	•Clip	1	
1-48	102309	•Cable Guide	1	
1-49	081032	•Nut	1	M6
1-50	113828	Backpack Frame	1	Includes 51

Ref. No.	Part No.	Part Name	Q'ty	Remarks
1 - 51	101353	•Ring	2	
1 - 52	108556	Buffer	2	
1 - 53	114185	Spacer	2	$\phi 6.5 \times \phi 33 \times t3$
1 - 54	026223	Buffer	2	
1 - 55	109704	Nut	6	M6
1 - 56	114848	Cusion Pad	1	
1 - 57	116082	Fastener	4	
1 - 58	102172	Shoulder Strap Ass'y - Right	1	
1 - 59	102173	Shoulder Strap Ass'y - Left	1	
1 - 60	083445	Screw	2	M6 $\times$ 16
1 - 61	108013	Step-Bolt	2	
1 - 62	015479	Washer	2	$\phi 5.3 \times \phi 16 \times t1.6$
1 - 63	081239	Nut	2	M5
1 - 64	116319	Fuel Tank Ass'y	1	Includes 65-78
1 - 65	107700	•Fuel Tank	1	
1 - 66	114293	•Tank Cap Ass'y	1	Includes 67, 68
1 - 67	573186	••Tank Cap	1	
1 - 68	944268	••Breather	1	
1 - 69	998419	•Fuel Filter Ass'y	1	Includes 70-76
1 - 70	944602	••Clamp	2	
1 - 71	944843	••Clamp	1	
1 - 72	944842	••Joint	1	
1 - 73	944844	••Tube	1	
1 - 74	944841	••Washer	1	
1 - 75	573070	••Fuel Filter	1	
1 - 76	573069	••Weight	1	
1 - 77	109181	•Tube, Fuel Return	1	$\phi 8 \times \phi 12 \times 87L$
1 - 78	043832	•Clamp	2	

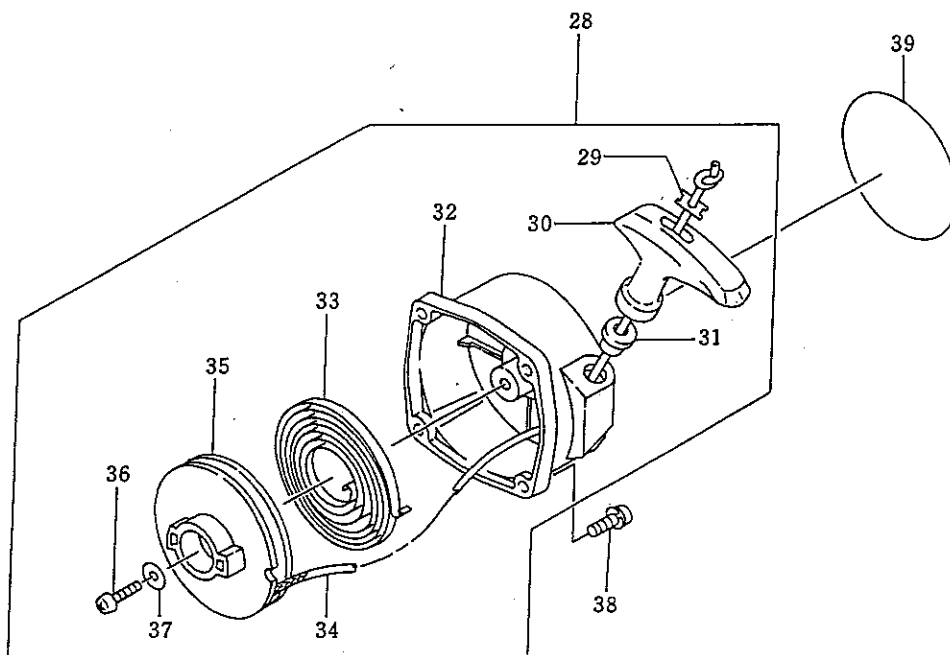
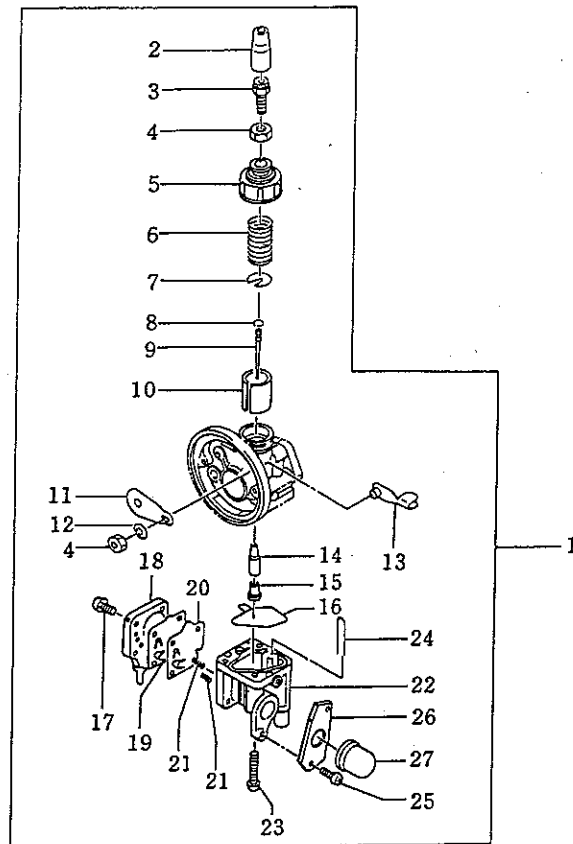
## 2. ENGINE (Cylinder, Crankcase and Air Filter)



Ref. No.	Part No.	Part Name	Q'ty	Remarks
2-1	114285	Engine	1	TE40
2-2	579535	Cylinder	1	New gasket required
2-3	579536	Gasket	1	
2-4	943288	Bolt	4	
2-5	591092	Shroud	1	
2-6	570254	Bolt	2	M5 × 10
2-7	579566	Gasket	1	
2-8	580193	Muffler	1	
2-9	577390	Bolt	2	M6 × 65
2-10	578500	Gasket	2	
2-11	580467	Insulator	1	New gasket required
2-12	579537	Piston	1	
2-13	943875	Piston Ring Set	1	
2-14	944448	Piston Pin	1	
2-15	943307	Clip, Piston Pin	2	
2-16	579538	Crankshaft Ass'y	1	Includes 17
2-17	943281	•Needle Bearing	1	
2-18	570246	Crankcase	1	
2-19	570247	Crankcase	1	
2-20	943349	Dowel Pin	2	
2-21	570248	Gasket	1	
2-22	071320	Oil Seal	2	
2-23	071386	Bearing	2	
2-24	943020	Shim(t0.1)	AR	
2-24	943021	Shim(t0.2)	AR	
2-24	943022	Shim(t0.4)	AR	
2-24	943023	Shim(t0.6)	AR	
2-25	998409	Key	1	
2-26	943273	Screw	4	M6 × 30
2-27	944619	Screw	1	M6 × 8
2-28	943893	Gasket	1	
2-29	570251	Flywheel	1	
2-30	579526	Ignition Coil	1	
2-31	943344	Grommet	1	
2-32	998411	Tube	1	
2-33	943457	Bolt	2	M5 × 20
2-34	998410	Nut	1	
2-35	943924	Washer	1	
2-36	998406	Lead Wire	1	
2-37	579525	Igniter	1	
2-38	943572	Screw	1	M4 × 8
2-39	579569	Starter Pawl Ass'y	1	Includes 40~42
2-40	572938	•Pawl	1	
2-41	579573	•Return Spring	1	
2-42	944226	•E - Ring	1	
2-43	943173	Nut	1	
2-44	071190	Washer	1	
2-45	113078	Throttle Cable	1	
2-46	580469	Screw	2	
2-47	578509	O - Ring	1	
2-48	578510	Air Filter Case	1	
2-49	578511	Air Filter Element	1	
2-50	998391	Air Filter Element	1	

Ref. No.	Part No.	Part Name	Q'ty	Remarks
2 - 51	944740	Screen	1	M4 × 12
2 - 52	578512	Air Filter Cover	1	
2 - 53	944125	Screw	2	
2 - 54	998405	Tube	1	
2 - 55	573081	Spark Plug	1	
2 - 56	943773	Spark Plug Cap	1	
2 - 57	943771	Terminal	1	
2 - 58	573289	Cover	1	

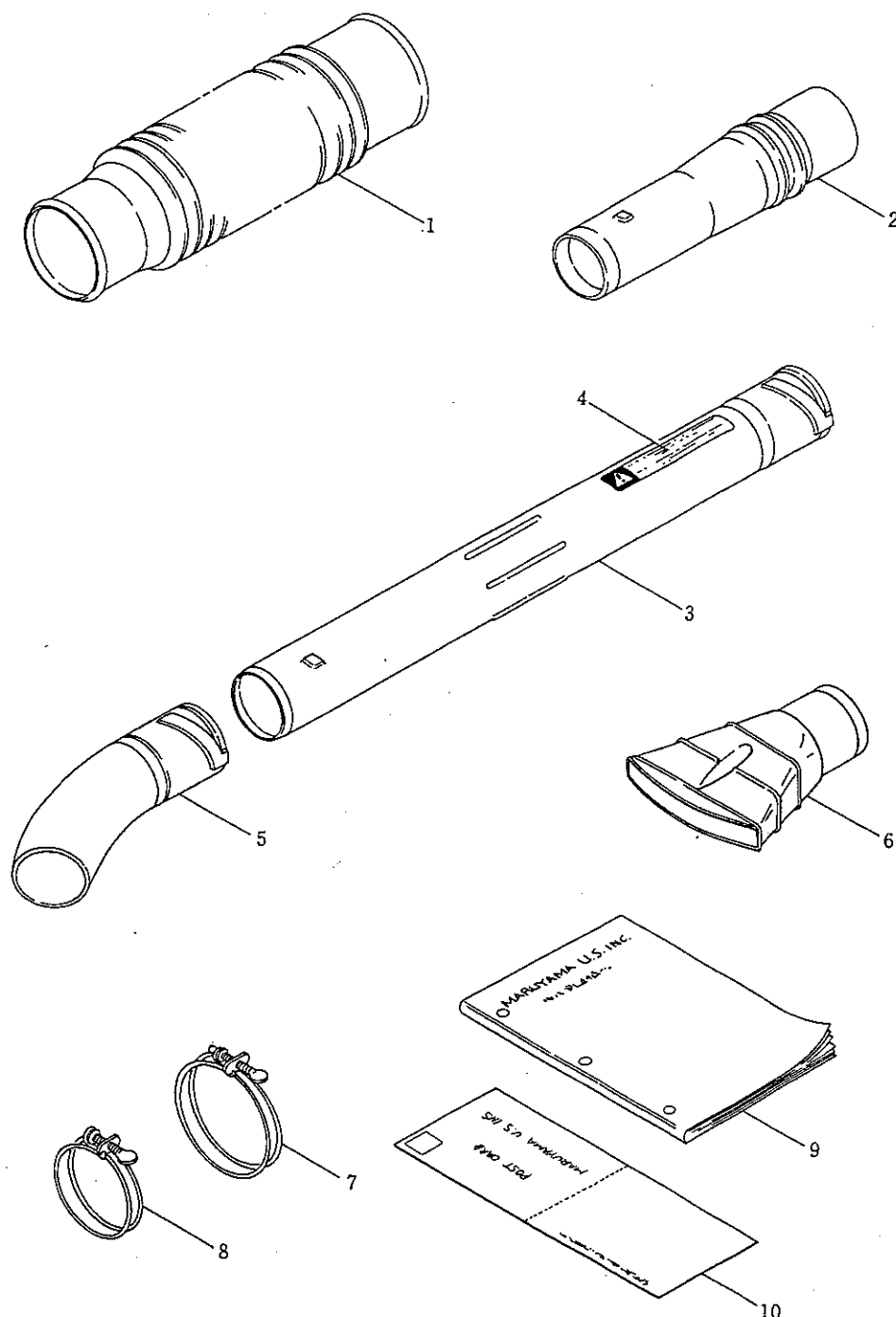
### 3. ENGINE (Carburetor and Recoil Starter Assembly)





Ref. No.	Part No.	Part Name	Q'ty	Remarks
3-1	580466	Carburetor Ass'y	1	Includes 2~27
3-2	573935	•Cap	1	
3-3	071150	•Adjuster	1	
3-4	071153	•Nut	2	
3-5	578502	•Cap	1	
3-6	071362	•Spring	1	
3-7	071361	•Plate	1	
3-8	071145	•Snap Ring	1	
3-9	578503	•Needle Jet	1	
3-10	578504	•Throttle Valve	1	
3-11	578505	•Choke Plate	1	
3-12	944102	•Spring Washer	1	
3-13	578506	•Lever	1	
3-14	998422	•Jet Nozzle	1	
3-15	580468	•Main Jet	1	
3-16	998424	•Gasket	1	
3-17	943621	•Screw	4	
3-18	943750	•Pump Cover	1	
3-19	570256	•Pump Diaphragm	1	
3-20	943751	•Gasket	1	
3-21	998426	•Spring	2	
3-22	998427	•Float Chamber	1	
3-23	998428	•Screw	2	
3-24	998429	•Wire	1	
3-25	998430	•Screw	2	
3-26	578508	•Plate	1	
3-27	998432	•Primer Bulb	1	
3-28	579570	Recoil Starter Ass'y	1	Includes 29~37
3-29	944502	•Plate	1	
3-30	998437	•Grip	1	
3-31	998438	•Rope Guide	1	
3-32	579568	•Recoil Case	1	
3-33	572955	•Spring	1	
3-34	579572	•Rope	1	
3-35	579571	•Reel	1	
3-36	944801	•Screw	1	
3-37	579574	•Washer	1	
3-38	943275	Screw	4	
3-39	111914	Label	1	

# 4. ACCESSORIES



Ref. No.	Part No.	Part Name	Q'ty	Remarks
4-1	105668	Flexible Pipe	1	
4-2	106721	Swivel Pipe Ass'y	1	
4-3	107149	Straight Pipe	1	600L
4-4	107483	Decal	1	
4-5	106725	Bent Pipe	1	
4-6	106726	Fan - Blow Head	1	
4-7	100823	Wire Clamp, Large	1	3.75 in.
4-8	100753	Wire Clamp, Small	1	3.0 in.
4-9	116317	Instruction Manual	1	BL400/BL480
4-10	216007	Warranty Card	1	