



MARUYAMA U.S., INC.

15436 N.E. 95th St., Redmond, Washington 98052
P.O. Box 2167, Redmond, Washington 98073-2167
Phone (206) 885-0811 Fax (206) 885-0123

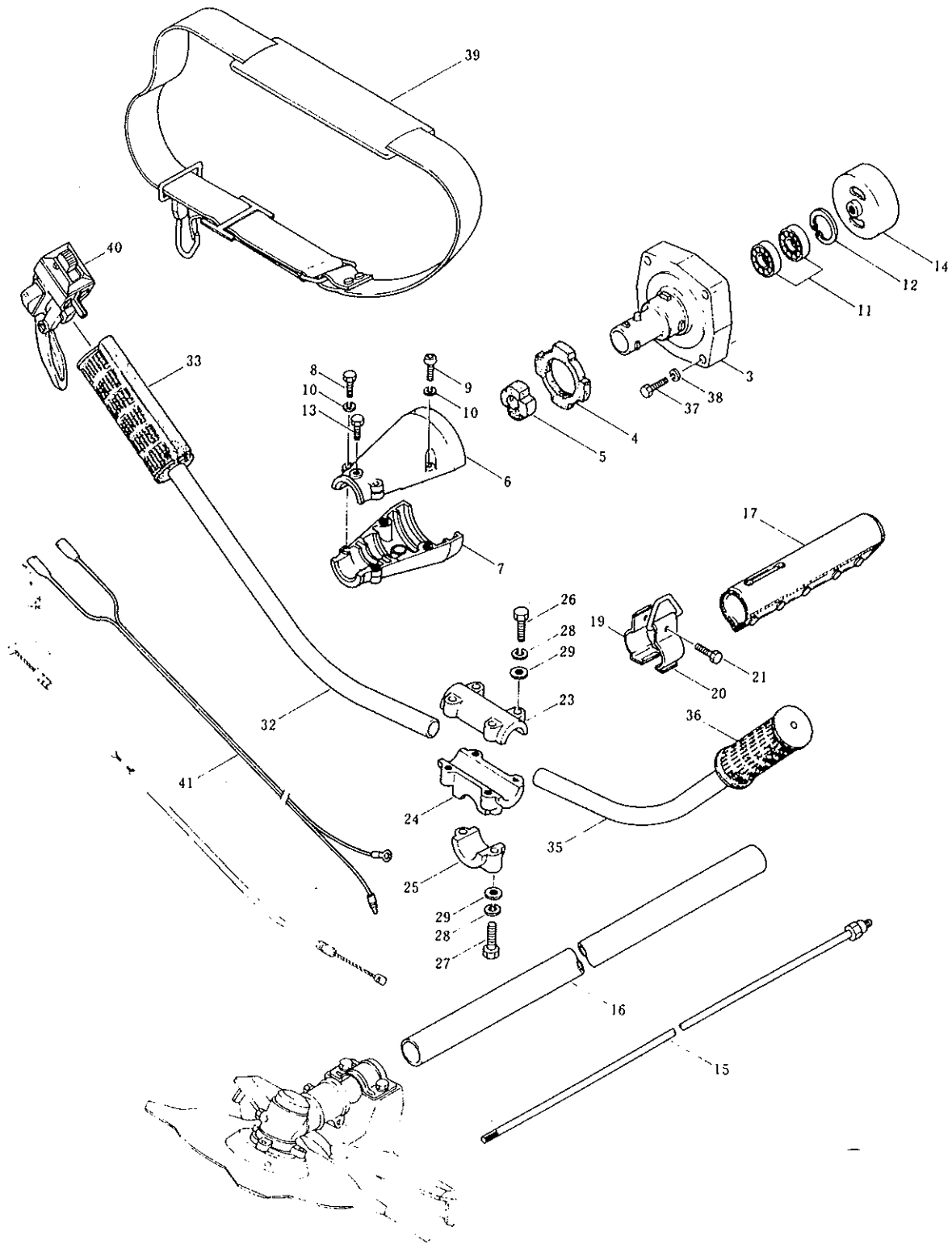
**PARTS LIST
MODEL BC326**

January 1, 1987

PARTS LIST

MODEL BC326

1. MAIN BODY



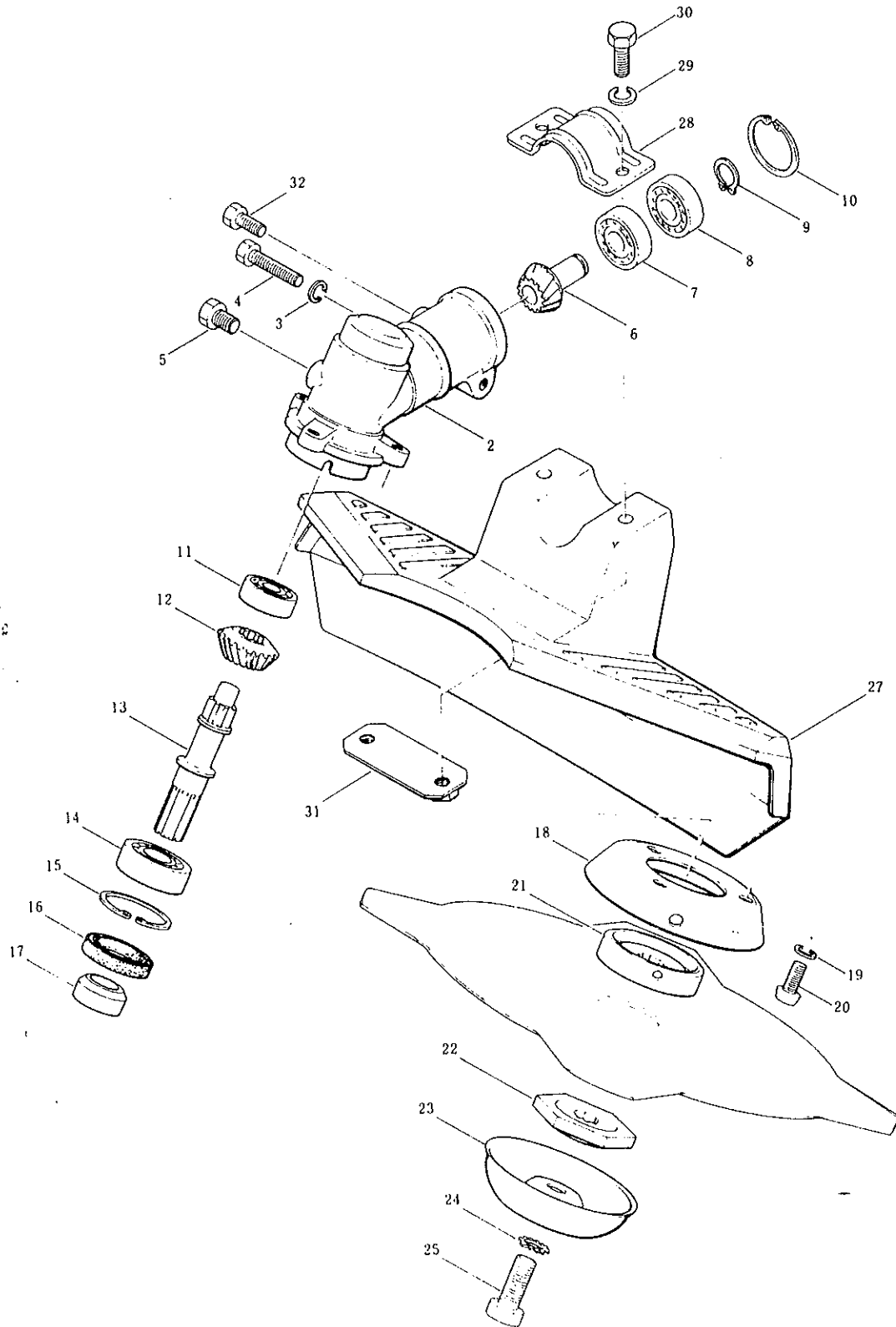
MARUYAMA U.S., INC.

Ref.No.	Parts No.	Parts Name	Q'ty	Ref.No.	Parts No.	Parts Name	Q'ty
1-1	344475	BC326	1	1-41	996230	Read wire	1
1-2	211680	Clutch case, ass'y	1				
1-3	211681	. Bearing case	1				
1-4	211683	. Buffer (A)	1				
1-5	211684	. Buffer (B)	1				
1-6	211685	. Outer transmission pipe bracket (A)	1				
1-7	211686	. Outer transmission pipe bracket (B)	1				
1-8	089749	. Bolt (M5X25-7T)	2				
1-9	081416	. Screw (M5X20)	2				
1-10	012501	. Spring washer (M5)	4				
1-11	151443	. Bearing (#6001UU)	2				
1-12	055185	. Snap ring (φ28)	1				
1-13	089737	Bolt (M5X12)	1				
1-14	211682	Clutch drum	1				
1-15	211687	Inner transmission shaft, ass'y	1				
1-16	211689	Outer transmission pipe	1				
1-17	211887	Waist pad	1				
1-18	210449	Hanging bracket, ass'y	1				
1-19	210450	. Hanging bracket (A)	1				
1-20	210452	. Hanging bracket (B)	1				
1-21	089738	. Bolt (M5X15)	1				
1-22	810329	Handle bracket, ass'y	1				
1-23	059242	. Handle bracket (A)	1				
1-24	059243	. Handle bracket (B)	1				
1-25	059244	. Handle bracket (C)	1				
1-26	089745	. Bolt (M6X25)	4				
1-27	089746	. Bolt (M6X30)	2				
1-28	012502	. Spring washer (M6)	6				
1-29	013754	. Washer (M6)	6				
1-30	212081	Handle, ass'y	1				
1-31	212082	. Handle right, ass'y	1				
1-32	054716	. . Handle	1				
1-33	212083	. . Handle knob	1				
1-34	211321	. Handle left, ass'y	1				
1-35	054716	. . Handle	1				
1-36	054974	. . Handle knob	1				
1-37	082111	Bolt (M6X35)	4				
1-38	012502	Spring washer (M6)	4				
1-39	212060	Hanging strap, ass'y	1				
1-40	212084	Throttle lever	1				

PARTS LIST

MODEL BC326

2. GEAR CASE



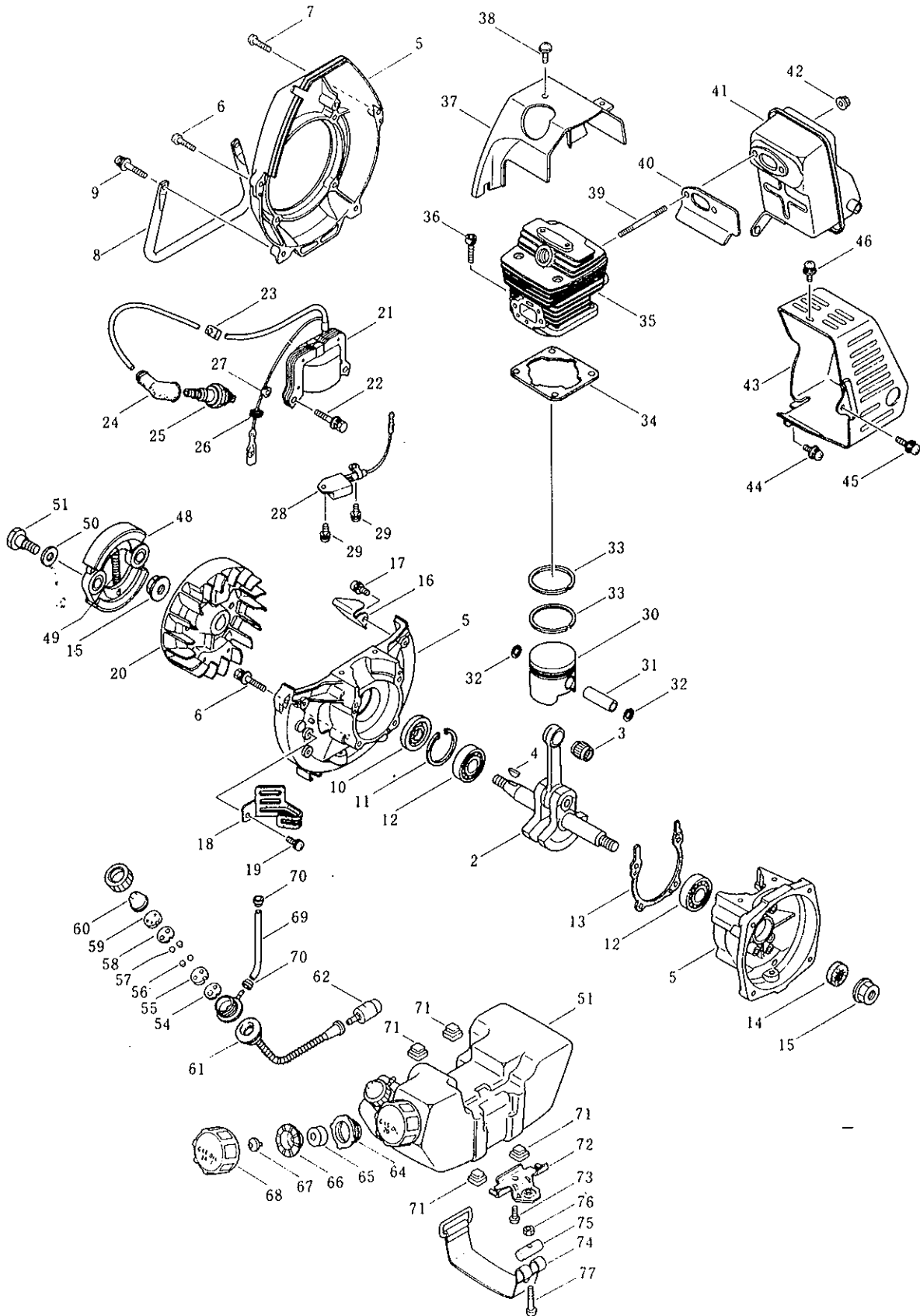
MARUYAMA U.S., INC.

Ref.No	Parts No.	Parts Name	Q'ty	Ref.No.	Parts No.	Parts Name	Q'ty
2-1	211691	Gear case, ass'y	1				
2-2	211693	. Gear case	1				
2-3	012502	. Spring washer (M6)	1				
2-4	082105	. Bolt (M6X25)	1				
2-5	082092	. Bolt (M6X8)	1				
2-6	211695	. Pinion gear	1				
2-7	014490	. Bearing (#6000)	1				
2-8	106933	. Bearing (#6000Z)	1				
2-9	014210	. Snap ring (#10)	1				
2-10	054676	. Snap ring (#26)	1				
2-11	211696	. Bearing (#628)	1				
2-12	211698	. Gear	1				
2-13	211697	. Blade axis	1				
2-14	022009	. Bearing (#6002)	1				
2-15	016732	. Snap ring (#32)	1				
2-16	211818	. Oil seal (D22 32 6)	1				
2-17	054816	. Collar, blade axis	1				
2-18	211694	. Stabilizer	1				
2-19	012501	. Spring washer (M5)	3				
2-20	081411	. Screw (M5X8)	3				
2-21	211699	. Boss (A)	1				
2-22	210307	. Boss (B)	1				
2-23	210308	. Stabilizer	1				
2-24	210309	. Toothed washer (B-8, Counterclockwise)	1				
2-25	089432	. Bolt (M8X18, Counterclockwise)	1				
2-26	210310	Safety cover, ass'y	1				
2-27	210311	. Safety cover	1				
2-28	210312	. Bracket	1				
2-29	012502	. Spring washer (M6)	2				
2-30	089746	. Bolt (M6X30)	2				
2-31	210313	. Safety cover bracket	1				
2-32	089737	Bolt (M5X12)	1				

PARTS LIST

MODEL BC326

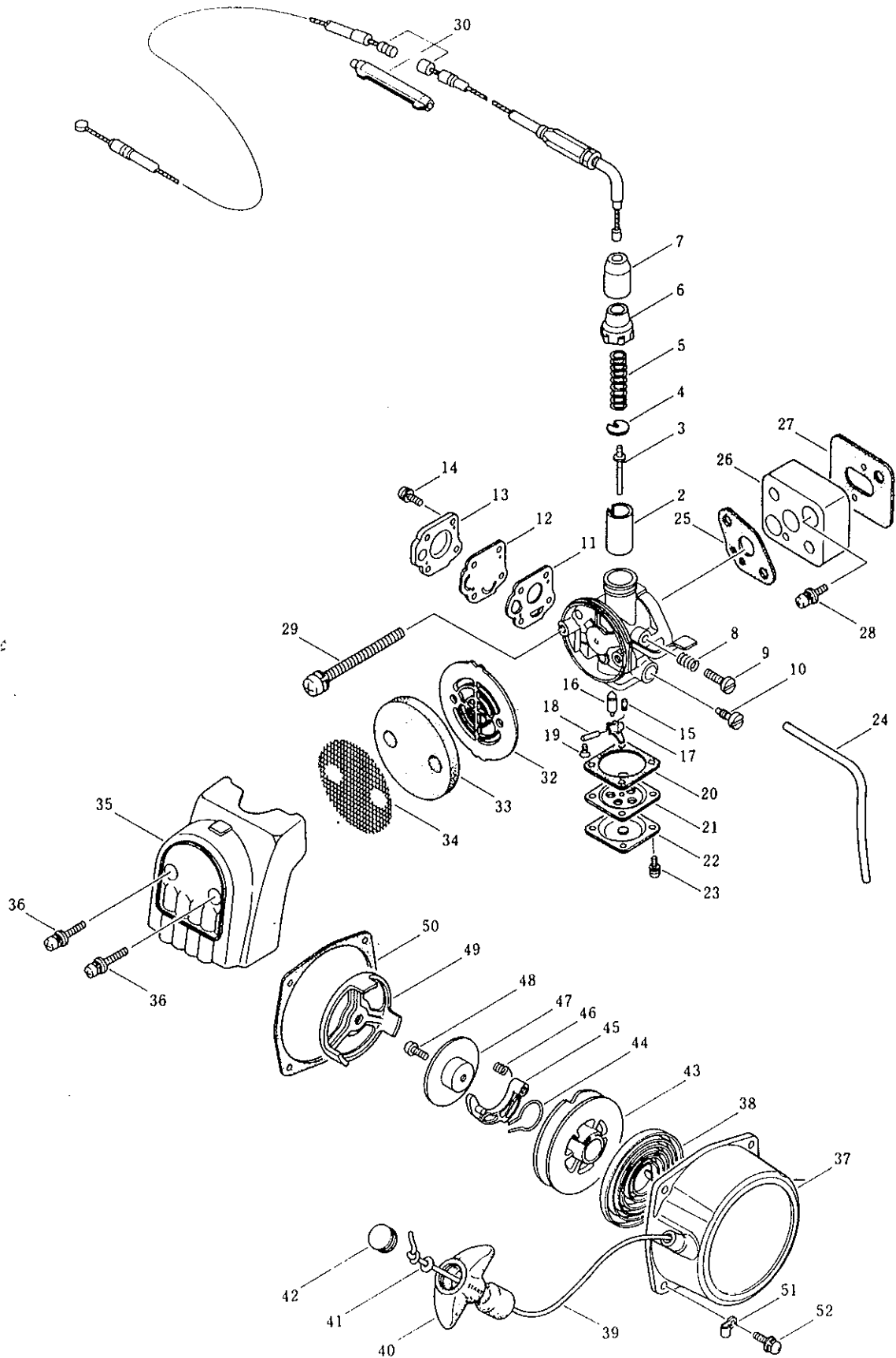
3. ENGINE (CRANKSHAFT, PISTON, TANK, MUFFLER)



MARUYAMA U.S., INC.

Ref.No.	Parts No.	Parts Name	Q'ty	Ref.No.	Parts No.	Parts Name	Q'ty
3-1	212079	Engine (T170P)	1	3-41	977559	Muffler	1
3-2	977458	Crankshaft, ass'y	1	3-42	991103	Flange nut	2
3-3	977459	Needle bearing	1	3-43	996233	Muffler cover	1
3-4	972897	Key	1	3-44	979338	Screw	1
3-5	996231	Crankcase, ass'y	1	3-45	977522	Screw	1
3-6	971819	Screw	5	3-46	971820	Screw	1
3-7	912610	Screw	1	3-47	977507	Clutch, ass'y	1
3-8	996232	Engine stand	1	3-48	977508	Weight	2
3-9	990126	Screw	2	3-49	977509	Spring	1
3-10	972843	Oil seal (TC9 12 32 7 10)	1	3-50	979337	Washer	2
3-11	912607	Snap ring	1	3-51	979336	Clutch bolt	2
3-12	912608	Bearing (#6201)	2	3-52	977562	Fuel tank, ass'y	1
3-13	977501	Case packing	1	3-53	912660	Primer pump, ass'y	1
3-14	912612	Oil seal (TC12 22 7)	1	3-54	972819	Packing (B)	1
3-15	990136	Nut	2	3-55	972811	Valve seat (A)	1
3-16	977511	Plate	1	3-56	972817	Ball cushion	2
3-17	970899	Screw	1	3-57	972813	Ball	2
3-18	977549	Clamp	1	3-58	972812	Packing (A)	1
3-19	972891	Screw	1	3-59	972818	Valve seat (B)	1
3-20	977465	Flywheel	1	3-60	972814	Rubber cap	1
3-21	977466	Ignition coil	1	3-61	977571	Fuel hose	1
3-22	977301	Bolt	2	3-62	912658	Fuel filter	1
3-23	972870	Bush	1	3-63	977314	Tank cap, ass'y	1
3-24	977306	Spark plug cap	1	3-64	977315	Packing	1
3-25	910519	Spark plug (BM6A)	1	3-65	977535	Sponge	1
3-26	912618	Bush	1	3-66	977318	Valve holder	1
3-27	977520	Clamp	1	3-67	977316	Combination valve	1
3-28	991100	Unit	1	3-68	977317	Tank cap	1
3-29	977504	Screw	2	3-69	977527	Fuel pipe	1
3-30	977460	Piston pin set	1	3-70	971781	Clip	2
3-31	977461	Piston pin	1	3-71	912650	Pad	4
3-32	912616	Snap ring	2	3-72	977512	Tank hanger	1
3-33	977462	Piston ring	2	3-73	912630	Screw	1
3-34	977502	Cylinder packing	1	3-74	977513	Tank band	1
3-35	977463	Cylinder	1	3-75	972883	Band support bar	1
3-36	977435	Bolt	4	3-76	979339	Nut	1
3-37	977561	Cylinder cover	1	3-77	912609	Screw	1
3-38	971821	Screw	1				
3-39	991147	Stud bolt	2				
3-40	977552	Muffler gasket	1				

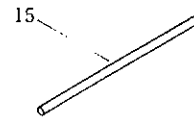
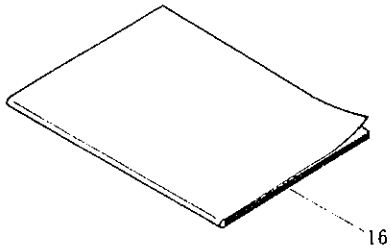
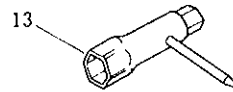
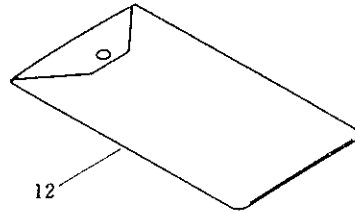
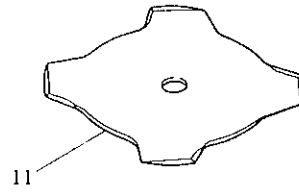
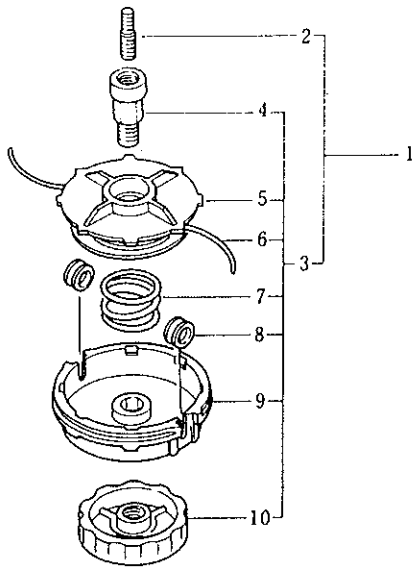
4. ENGINE (CARBURETOR, RECOIL STARTER)



MARUYAMA U.S., INC.

Ref.No.	Parts No.	Parts Name	Q'ty	Ref.No.	Parts No.	Parts Name	Q'ty
4-1	996234	Carburetor, ass'y	1	4-41	977519	Washer	1
4-2	996235	Throttle valve	1	4-42	977518	Knob cap	1
4-3	996236	Jet needle, ass'y	1	4-43	977514	Reel	1
4-4	972850	Spring retainer	1	4-44	972831	Friction spring	1
4-5	996237	Spring	1	4-45	977439	Ratchet	1
4-6	977566	Mixing chamber cap	1	4-46	972834	Return spring	1
4-7	260058	Air seal	1	4-47	977440	Friction plate	1
4-8	991097	Spring	1	4-48	977441	Screw	1
4-9	991096	Throttle adjusting screw	1	4-49	972835	Starter pulley	1
4-10	977567	Main adjusting needle	1	4-50	977505	Packing	1
4-11	972865	Pump cover gasket	1	4-51	972876	Clamp	1
4-12	972864	Pump diaphragm	1	4-52	972889	Screw	3
4-13	972863	Pump cover, ass'y	1				
4-14	972887	Screw	4				
4-15	972859	Spring	1				
4-16	972858	Float valve	1				
4-17	972857	Float arm	1				
4-18	972856	Float pin	1				
4-19	972860	Screw	1				
4-20	977533	Packing	1				
4-21	972861	Main diaphragm, ass'y	1				
4-22	972866	Main diaphragm cover	1				
4-23	971814	Screw	4				
4-24	977528	Overflow pipe	1				
4-25	972836	Carburetor packing	1				
4-26	977308	Insulator	1				
4-27	972838	Insulator packing	1				
4-28	977305	Screw	2				
4-29	977534	Screw	2				
4-30	996238	Throttle wire	1				
4-31	996239	Air cleaner, ass'y	1				
4-32	991098	Element holder	1				
4-33	972844	Element	1				
4-34	972842	Steel net	1				
4-35	991087	Air cleaner cover	1				
4-36	990125	Screw	2				
4-37	977467	Recoil starter, ass'y	1				
4-38	977515	Spiral spring	1				
4-39	977516	Starter rope	1				
4-40	977517	Starter knob	1				

5. ACCESSORIES



MARUYAMA U.S., INC.

Ref.No.	Parts No.	Parts Name	Q'ty	Ref.No.	Parts No.	Parts Name	Q'ty
5-1	211088	Nylon cutter, ass'y	1				
5-2	210244	. Setting bolt	1				
5-3	211089	. Nylon cutter	1				
5-4	210800	.. Shaft bolt	1				
5-5	211090	.. Spool	1				
5-6	210801	.. Nylon cord	1				
5-7	210802	.. Spring	1				
5-8	210803	.. Cord guide	2				
5-9	211091	.. Housing	1				
5-10	211092	.. Knob	1				
5-11	054751	Mowing blade (φ255X4)	1				
5-12	054753	Tool bag	1				
5-13	210418	Box spanner (13X19X⊕)	1				
5-14	022865	Double-ended wrench (8X10)	1				
5-15	210181	Handle (φ3.5X170L)	1				
5-16	212085	Instruction manual	1				



Maruyama U.S., Inc.
3570 Shelby Lane
Denton, TX 76207
940-383-7400 voice
940-383-7466 fax

www.maruyama-us.com